



F45CMWD9X

GB	MICROWAVE OVENS <i>USER INSTRUCTIONS</i>
FR	MICRO-ONDES <i>INSTRUCTION DE L'UTILISATEUR</i>
IT	FORNO A MICROONDE ISTRUZIONI D'USO
ES	HORNO MICROONDAS INSTRUCCIONES PARA EL USUARIO
DE	MIKROWELLE BEDIENUNGSANLEITUNG
NL	MICROWAVE OVEN GEBRUIKERSINSTRUCTIES
AR	فرن المايكرويف تعليمات المستخدم

Microwave Oven
INSTRUCTION MANUAL
MODEL: F45CMWD9X

Read these instructions carefully before using your microwave oven, and keep it carefully.

If you follow the instructions, your oven will provide you with many years of good service.

SAVE THESE INSTRUCTIONS CAREFULLY

PRECAUTIONS TO AVOID POSSIBLE EXPOSURE TO EXCESSIVE MICROWAVE ENERGY

- (a) Do not attempt to operate this oven with the door open since this can result in harmful exposure to microwave energy. It is important not to break or tamper with the safety interlocks.
- (b) Do not place any object between the oven front face and the door or allow soil or cleaner residue to accumulate on sealing surfaces.
- (c) **WARNING:** If the door or door seals are damaged, the oven must not be operated until it has been repaired by a competent person.

ADDENDUM

If the apparatus is not maintained in a good state of cleanliness, its surface could be degraded and affect the lifespan of the apparatus and lead to a dangerous situation.

Specifications

Model:	F45CMWD9X
Rated Voltage:	230V~50Hz
Rated Input Power(Microwave):	1450W
Rated Output Power(Microwave):	900W
Rated Input Power(Grill):	1100W
Rated Input Power(Convection):	2500W
Oven Capacity:	25 L
Turntable Diameter:	∅315 mm
External Dimensions:	595×470×388 mm
Net Weight:	Approx. 21.5 kg

IMPORTANT SAFETY INSTRUCTIONS

WARNING

To reduce the risk of fire, electric shock, injury to persons or exposure to excessive microwave oven energy when using your appliance, follow basic precautions, including the following:

1. Warning: Liquids and other foods must not be heated in sealed containers since they are liable to explode.
2. Warning: It is hazardous for anyone other than a competent person to carry out any service or repair operation that involves the removal of a cover which gives protection against exposure to microwave energy.
3. This appliance can be used by children aged from 8 years and above and persons with reduced physical, sensory or mental capabilities or lack of experience and knowledge if they have been given supervision or instruction concerning use of the appliance in a safe way and understand the hazards involved. Children shall not play with the appliance. Cleaning and user maintenance shall not be made by children unless they are older than 8 and supervised.
4. Keep the appliance and its cord out of reach of children less than 8 years.
5. Only use utensils suitable for use in microwave ovens.
6. The oven should be cleaned regularly and any food deposits should be removed.
7. Read and follow the specific: "PRECAUTIONS TO AVOID POSSIBLE EXPOSURE TO EXCESSIVE MICROWAVE ENERGY".
8. When heating food in plastic or paper containers, keep an eye on the oven due to the possibility of ignition.

9. If smoke is emitted, switch off or unplug the appliance and keep the door closed in order to stifle any flames.
10. Do not overcook food.
11. Do not use the oven cavity for storage purposes. Do not store items, such as bread, cookies, etc. inside the oven.
12. Remove wire twist-ties and metal handles from paper or plastic containers/bags before placing them in the oven.
13. Install or locate this oven only in accordance with the installation instructions provided.
14. Eggs in the shell and whole hard-boiled eggs should not be heated in microwave ovens since they may explode, even after microwave heating has ended.
15. This appliance is intended to be used in household and similar applications such as:
 - staff kitchen areas in shops, offices and other working environments;
 - by clients in hotels, motels and other residential type environments;
 - farm houses;
 - bed and breakfast type environments.
16. If the supply cord is damaged, it must be replaced by the manufacturer, its service agent or similarly qualified persons in order to avoid a hazard.
17. Do not store or use this appliance outdoors.
18. Do not use this oven near water, in a wet basement or near a swimming pool.
19. The temperature of accessible surfaces may be high when the appliance is operating. The surfaces are liable to get hot during use. Keep cord away from heated surface, and do not cover any vents on the oven.

20. Do not let cord hang over edge of table or counter.
21. Failure to maintain the oven in a clean condition could lead to deterioration of the surface that could adversely affect the life of the appliance and possibly result in a hazardous situation.
22. The contents of feeding bottles and baby food jars shall be stirred or shaken and the temperature checked before consumption, in order to avoid burns.
23. Microwave heating of beverages can result in delayed eruptive boiling, therefore care must be taken when handling the container.
24. The appliance is not intended for use by persons (including children) with reduced physical, sensory or mental capabilities, or lack of experience and knowledge, unless they have been given supervision or instruction concerning use of the appliance by a person responsible for their safety.
25. Children should be supervised to ensure that they do not play with the appliance.
26. The appliances are not intended to be operated by means of an external timer or separate remote-control system.
27. Accessible parts may become hot during use. Young children should be kept away.
28. Steam cleaner is not to be used.
29. During use the appliance becomes hot. Care should be taken to avoid touching heating elements inside the oven.
30. Only use the temperature probe recommended for this oven. (for ovens provided with a facility to use a temperature-sensing probe.)

- 31.WARNING: The appliance and its accessible parts become hot during use.Care should be taken to avoid touching heating elements. Children less than 8 years of age shall be kept away unless continuously supervised.
- 32.The microwave oven must be operated with the decorative door open.(for ovens with a decorative door.)
- 33.Surface of a storage cabinet can get hot.

READ CAREFULLY AND KEEP FOR FUTURE REFERENCE

To Reduce the Risk of Injury to Persons Grounding Installation

DANGER

Electric Shock Hazard
Touching some of the internal components can cause serious personal injury or death. Do not disassemble this appliance.

WARNING

Electric Shock Hazard
Improper use of the grounding can result in electric shock. Do not plug into an outlet until appliance is properly installed and grounded.

This appliance must be grounded. In the event of an electrical short circuit, grounding reduces the risk of electric shock by providing an escape wire for the electric current. This appliance is equipped with a cord having a grounding wire with a grounding plug. The plug must be plugged into an outlet that is properly installed and grounded.

Consult a qualified electrician or serviceman if the grounding instructions are not completely understood or if doubt exists as to whether the appliance is properly grounded. If it is necessary to use an extension cord, use only a 3-wire

1. A short power-supply cord is provided to reduce the risks resulting from becoming entangled in or tripping over a longer cord.
2. If a long cord set or extension cord is used:
 - 1) The marked electrical rating of the cord set or extension cord should be at least as great as the electrical rating of the appliance.
 - 2) The extension cord must be a grounding-type 3-wire cord.
 - 3) The long cord should be arranged so that it will not drape over the counter top or tabletop where it can be pulled on by children or tripped over unintentionally.

CLEANING

Be sure to unplug the appliance from the power supply.

1. Clean the cavity of the oven after using with a slightly damp cloth.
2. Clean the accessories in the usual way in soapy water.
3. The door frame and seal and neighbouring parts must be cleaned carefully with a damp cloth when they are dirty.
4. Do not use harsh abrasive cleaners or sharp metal scrapers to clean the oven door glass since they can scratch the surface, which may result in shattering of the glass.
5. Cleaning Tip---For easier cleaning of the cavity walls that the food cooked can touch: Place half a lemon in a bowl, add 300ml (1/2 pint) water and heat on 100% microwave power for 10 minutes. Wipe the oven clean using a soft, dry cloth.

UTENSILS

CAUTION

Personal Injury Hazard

It is hazardous for anyone other than a competent person to carry out any service or repair operation that involves the removal of a cover which gives protection against exposure to microwave energy.

See the instructions on "Materials you can use in microwave oven or to be avoided in microwave oven."

There may be certain non-metallic utensils that are not safe to use for microwaving. If in doubt, you can test the utensil in question following the procedure below.

Utensil Test:

1. Fill a microwave-safe container with 1 cup of cold water (250ml) along with the utensil in question.
2. Cook on maximum power for 1 minute.
3. Carefully feel the utensil. If the empty utensil is warm, do not use it for microwave cooking.
4. **Do not exceed 1 minute cooking time.**

Materials you can use in microwave oven

Utensils	Remarks
Aluminum foil	Shielding only. Small smooth pieces can be used to cover thin parts of meat or poultry to prevent overcooking. Arcing can occur if foil is too close to oven walls. The foil should be at least 1 inch (2.5cm) away from oven walls.
Browning dish	Follow manufacturer's instructions. The bottom of browning dish must be at least 3/16 inch (5mm) above the turntable. Incorrect usage may cause the turntable to break.
Dinnerware	Microwave-safe only. Follow manufacturer's instructions. Do not use cracked or chipped dishes.
Glass jars	Always remove lid. Use only to heat food until just warm. Most glass jars are not heat resistant and may break.
Glassware	Heat-resistant oven glassware only. Make sure there is no metallic trim. Do not use cracked or chipped dishes.
Oven cooking bags	Follow manufacturer's instructions. Do not close with metal tie. Make slits to allow steam to escape.
Paper plates and cups	Use for short-term cooking/warming only. Do not leave oven unattended while cooking.
Paper towels	Use to cover food for reheating and absorbing fat. Use with supervision for a short-term cooking only.
Parchment paper	Use as a cover to prevent splattering or a wrap for steaming.
Plastic	Microwave-safe only. Follow the manufacturer's instructions. Should be labeled "Microwave Safe". Some plastic containers soften, as the food inside gets hot. "Boiling bags" and tightly closed plastic bags should be slit, pierced or vented as directed by package.
Plastic wrap	Microwave-safe only. Use to cover food during cooking to retain moisture. Do not allow plastic wrap to touch food.
Thermometers	Microwave-safe only (meat and candy thermometers).
Wax paper	Use as a cover to prevent splattering and retain moisture.

Materials to be avoided in microwave oven

Utensils	Remarks
Aluminum tray	May cause arcing. Transfer food into microwave-safe dish.
Food carton with metal handle	May cause arcing. Transfer food into microwave-safe dish.
Metal or metal-trimmed utensils	Metal shields the food from microwave energy. Metal trim may cause arcing.
Metal twist ties	May cause arcing and could cause a fire in the oven.
Paper bags	May cause a fire in the oven.
Plastic foam	Plastic foam may melt or contaminate the liquid inside when exposed to high temperature.
Wood	Wood will dry out when used in the microwave oven and may split or crack.

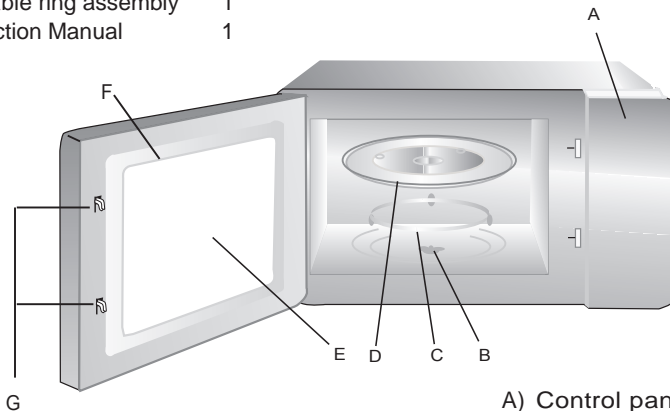
SETTING UP YOUR OVEN

Names of Oven Parts and Accessories

Remove the oven and all materials from the carton and oven cavity.

Your oven comes with the following accessories:

Glass tray	1
Turntable ring assembly	1
Instruction Manual	1

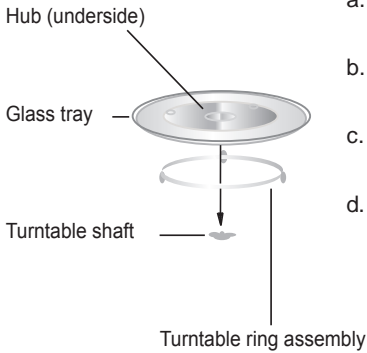


- A) Control panel
- B) Turntable shaft
- C) Turntable ring assembly
- D) Glass tray
- E) Observation window
- F) Door assembly
- G) Safety interlock system



Grill Rack(Only be used in grill/convection function and be placed on the glass tray)

Turntable Installation



- a. Never place the glass tray upside down. The glass tray should never be restricted.
- b. Both glass tray and turntable ring assembly must always be used during cooking.
- c. All food and containers of food are always placed on the glass tray for cooking.
- d. If glass tray or turntable ring assembly cracks or breaks, contact your nearest authorized service center.

Countertop Installation

Remove all packing material and accessories. Examine the oven for any damage such as dents or broken door. Do not install if oven is damaged.

Cabinet: Remove any protective film found on the microwave oven cabinet surface.

Do not remove the light brown Mica cover that is attached to the oven cavity to protect the magnetron.

Installation and connection

- 1.This appliance is only intended for domestic use.
- 2.This oven is intended for built-in use only.It is not intended for counter-top use or for use inside a cupboard.
3. Please observe the special installation instructions.
- 4.The appliance can be installed in a 60cm wide wall-mounted cupboard(at least 55cm deep and 85cm off the floor).
- 5.The appliance is fitted with a plug and must only be connected to a properly installed earthed socket.
- 6.The mains voltage must correspond to the voltage specified on the rating plate.
- 7.The socket must be installed and connecting cable must only be replaced by a qualified electrician.If the plug is no longer to accessible following installation,an all-pole disconnecting device must be present on the installation side with a contact gap of at least 3mm.
- 8.Adapters,multi-way strips and extension leads must not be used. Overloading can result in a risk of fire.

The accessible surface may be hot during operation.



Installation Instructions

Please Read the Manual Carefully Before Installation

Please note

Electrical connection

The oven is fitted with a plug and must only be connected to a properly installed earthed socket. The socket must only be installed and the connecting cable must only be replaced by a qualified electrician, and in accordance with the appropriate regulations.

If the plug is no longer accessible following installation, an all-pole isolating switch must be present on the installation side with a contact gap of at least 3 mm.

The fitted cabinet must not have a back wall behind the appliance.

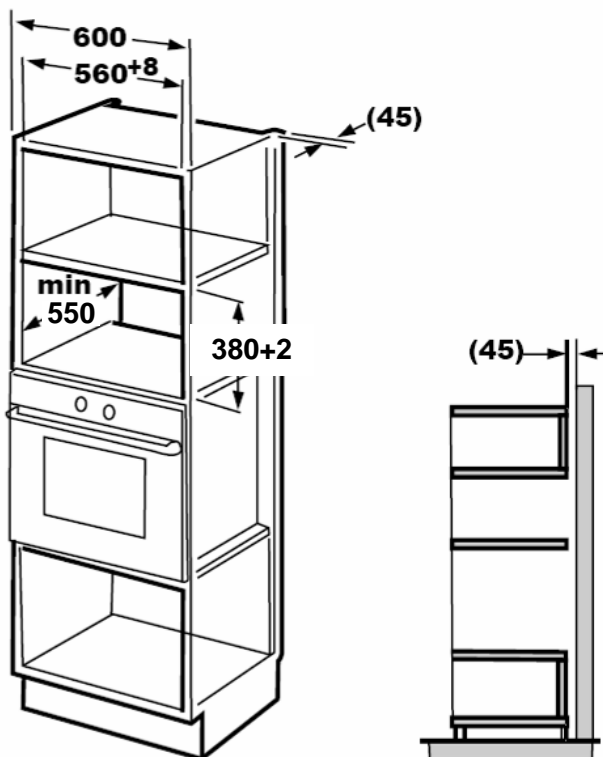
Minimum installation height: 85 cm.

Do not cover ventilation slots and suction holes.

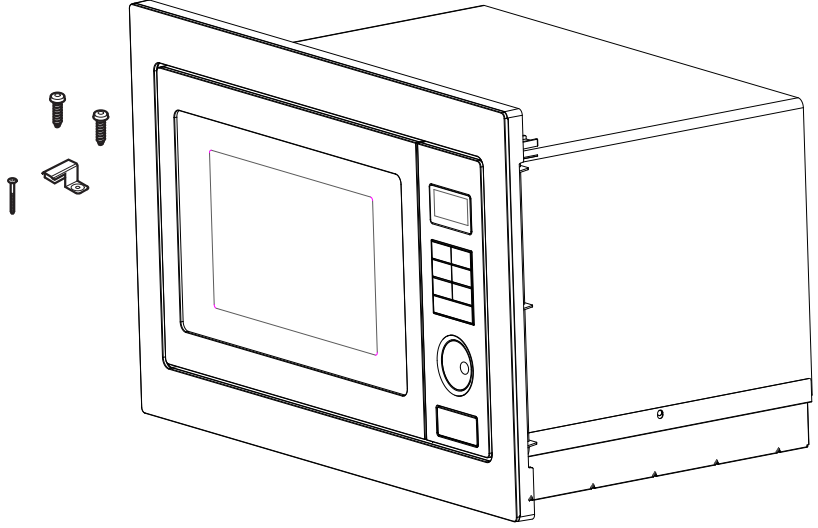
Note:

Do not trap or bend the power cable.

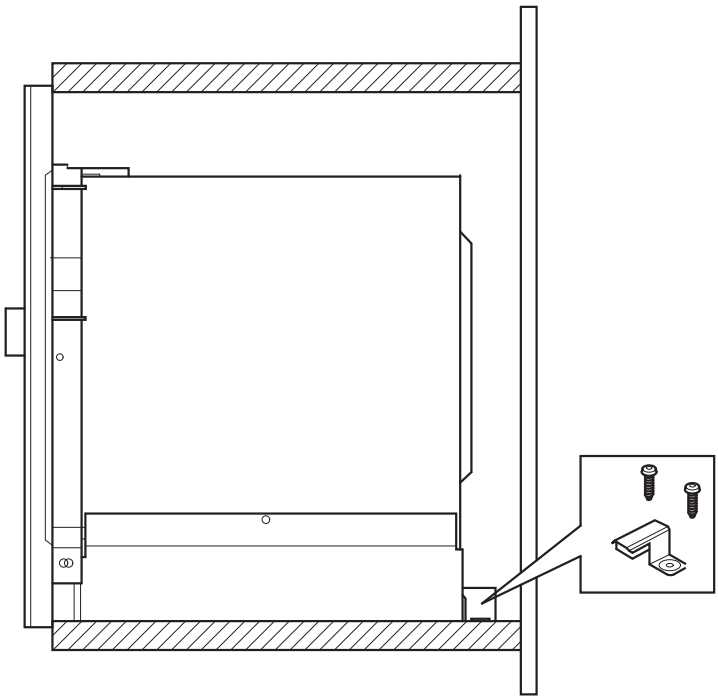
A. Built-in furniture



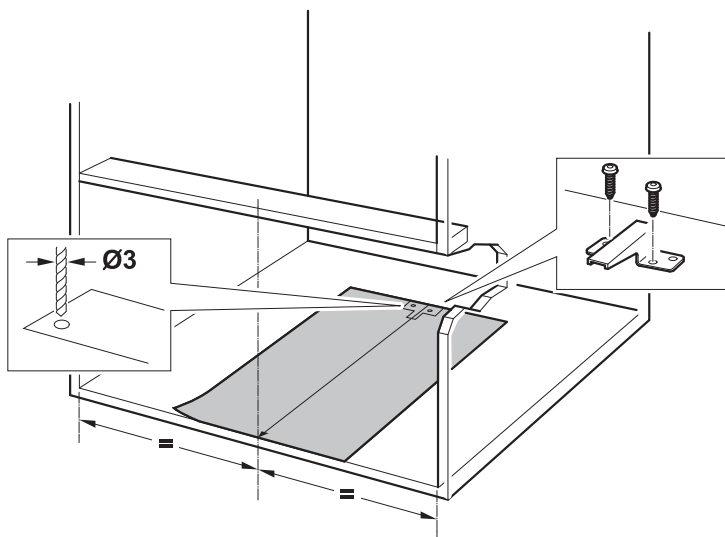
2.



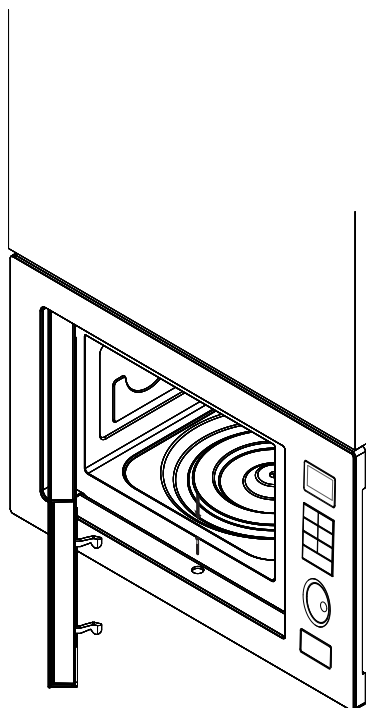
3.



4.



5.




OPERATION INSTRUCTION

This microwave oven uses modern electronic controls to meet your cooking needs.


1. Clock Setting

When the microwave oven is Powered On, the oven will display "0:00", and the buzzer will ring once.

1) Press "**KITCHEN TIMER/CLOCK**" twice. "00:00" displays.

2) Turn " " to adjust the hour figures, the input time should be within 0--23(24-hour).

3) Press "**KITCHEN TIMER/CLOCK**", the minute figures will flash.

4) Turn " " to adjust the minute figures, the input time should be within 0--59.


5) Press "**KITCHEN TIMER/CLOCK**" to finish clock setting. ":" will flash.

Note: 1) If the clock is not set, it would not function when powered.

2) During the process of clock setting, if you press "**STOP/CLEAR**", the oven will go back to the previous status automatically.

2. Kitchen Timer

(1) Press "**KITCHEN TIMER/CLOCK**" once, LED will display 00:00.

(2) Turn " " to enter the correct timer. (The maximum cooking time is 95 minutes.)

(3) Press "**START/+30SEC./CONFIRM**" to confirm setting.


(4) When the kitchen time is reached, the buzzer will ring 5 times.

If the clock has been set to the (24-hour system), LED will display the current time.

Note: The kitchen Time is different from 24-hour system. Kitchen Timer is a timer.

3. Microwave Cooking

Press "**Microwave**" the LED will display "P100". Press "**Microwave**" for times to choose the power you want, and "P100", "P 80", "P 50", "P 30" or "P 10" will display for each added press. Then press "**START/+30SEC./CONFIRM**" to confirm,

and turn " " to set cooking time from 0:05 to 95:00. Press


" **START/+30SEC./CONFIRM** " again to start cooking.

Example: If you want to use 80% microwave power to cook for 20 minutes, you can operate the oven with the following steps.

1) Press "**Microwave**" once, the screen displays "P100".

2) Press "**Microwave**" once again to choose 80% microwave power.

3) Press "**Start/+30Sec./Confirm**" to confirm, and the screen displays "P 80".

4) Turn " " to adjust the cooking time until the oven displays "20:00".

5) Press "**Start/+30Sec./Confirm**" to start cooking .



NOTE: The step quantities for the adjustment time of the coding switch are as follow:

0---1 min	: 5 seconds
1---5 min	: 10 seconds
5---10 min	: 30 seconds
10---30 min	: 1 minute
30---95 min	: 5 minutes

Microwave Power Chart

Press	Once	Twice	Thrice	4 times	5 times
Microwave Power	100%	80%	50%	30%	10%


4. Grill or Combi. Cooking

Press "**Grill/Combi.**" the LED will display "G-1", and press "**Grill/Combi.**" for times or turn the " " to choose the power you want, and "G-1", "C-1", "C-2", "C-3" or "C-4" will display for each added press. Then press "**Start/+30Sec./Confirm**" to confirm, and turn " " to set cooking time from 0:05 to 95:00. Press "**Start/+30Sec./Confirm**" again to start cooking.

Example: If you want to use grill power to cook for 10 minutes, you can operate the oven as the following steps.

1) Press "**Grill/Combi.**" once, the screen displays "G-1".

2) Press "**Start/+30Sec./Confirm**" to confirm.

3) Turn " " to adjust the cooking time until the oven displays "10:00".

4) Press "**Start/+30Sec./Confirm**" to start cooking.

Note: If half the grill time passes, the oven sounds twice, and this is normal.


In order to have a better effect of grilling food, you should turn the food over, close the door, and press "**Start/+30Sec./Confirm**" to continue cooking. If no operation the oven will continue cooking.

Note: Combination instructions


Instructions	Display	Microwave	Grill	Convection
1	C-1	●		●
2	C-2	●	●	
3	C-3		●	●
4	C-4	●	●	●

5. Convection Cooking (With preheating function)

The convection cooking can let you to cook the food as a traditional oven. Microwave is not used. It is recommended that you should preheat the oven to the appropriate temperature before placing the food in the oven.

- 1) Press the "**CONVECTION**" key once, "130" flashes.
- 2) Keep pressing "**CONVECTION**" or turn " " to select the convection function.

Note: The temperature can be chosen from 130 degrees to 220 degrees.

- 3) Press the "**START/+30SEC./CONFIRM**" to confirm the temperature.
- 4) Press the "**START/+30SEC./CONFIRM**" to start preheating. When the preheating temperature arrives, the buzzer will sound twice to remind you to put the food into the oven. And the preheated temperature is displayed and flashes.
- 5) Put the food into the oven and close the door.
Turn " " to adjust the cooking time. (The maximum setting time is 95 minutes.)


- 6) Press the "**START/+30SEC./CONFIRM**" key to start cooking.

Note: a. Cooking time cannot be input until the preheating temperature arrives.


If the temperature arrives, door must be opened to input the cooking time.

- b. If the time not input in 5 minutes, the oven will stop preheating. The buzzer sounds five times and turn back to waiting state.

6. Convection Cooking (Without pre-heating function)

- 1) Press the "**CONVECTION**" key once, "130" flashes.
- 2) Keep pressing "**CONVECTION**" or turn " " to select the convection function.

Note: The temperature can be chosen from 130 degrees to 220 degrees.



-
- 3) Press the "**START/+30SEC./CONFIRM**" to confirm the temperature.
-
- 4) Turn " " to adjust the cooking time. (The maximum setting time is 95 minutes.)
-
- 5) Press the "**START/+30SEC./CONFIRM**" key to start cooking.

7. Multi-Stage Cooking

Two stages can be maximally set. If one stage is defrosting, it should be put in the first stage. The buzzer will ring once after each stage and the next stage will begin.

Note: Auto menu and preheating cannot be set as one of the multi-stage.

Example: If you want to defrost the food for 5 minutes, then to cook with 80% microwave power for 7 minutes. The steps are as following:

- 1) Press "**W.T./TIME DEFROST**" twice, the screen will display "d-2";
- 2) Turn " " to adjust the defrost time of 5 minutes;
- 3) Press "**MICROWAVE**" once;
- 4) Press "**MICROWAVE**" again to choose 80% microwave power till "P 80" displays;
- 5) Press "**START/+30SEC./CONFIRM**" to confirm;
- 6) Turn " " to adjust the cooking time of 7 minutes;
- 7) Press "**START/+30SEC./CONFIRM**" to start cooking.

8. Speedy Cooking



- 1) In waiting state, press "**START/+30SEC./CONFIRM**" key to cook with 100% power level for 30 seconds. Each press on the same key can increase 30 seconds. The maximum cooking time is 95 minutes.
- 2) During microwave, grill, convection and combination states, cooking time can be increased by pressing "**START/+30SEC./CONFIRM**". Each press can increase 30 seconds.

Note: This function cannot work under defrost by weight, multi-stage and auto menu cooking.

Auto menu Chart

Menu	Weight	Display	Power
A1 Auto Reheat	150 g	150	100%
	250 g	250	
	350 g	350	
	450 g	450	
	600 g	600	
A2 Potato	1 (about 230g)	1	100%
	2 (about 460g)	2	
	3 (about 690g)	3	
A3 Meat	150 g	150	100%
	300 g	300	
	450 g	450	
	600 g	600	
A4 Vegetable	150 g	150	100%
	350 g	350	
	500 g	500	
A5 Fish	150 g	150	80%
	250 g	250	
	350 g	350	
	450 g	450	
	650 g	650	
A6 Pasta	50g(with water 450ml)	50	80%
	100g(with water 800ml)	100	
	150g(with water 1200ml)	150	
A7 Soup	200 ml	200	100%
	400 ml	400	
	600 ml	600	
A8 Cake	475 g	475	Preheat at 180 degree
A9 PIZZA	200 g	200	C-4
	300 g	300	
	400 g	400	
A10 Chicken	500 g	500	C-4
	750 g	750	
	1000 g	1000	
	1200 g	1200	


9. Auto Menu

- 1) In waiting state, turn "  " right to choose the function wanted, and "A1", "A2", "A3"... "A10" will be displayed.
- 2) Press "**START/ +30 SEC./CONFIRM**" to confirm the menu you need.
- 3) Turn "  " to choose the weight of menu, and "g" indicator will light.
- 4) Press "**START/ +30 SEC./CONFIRM**" to start cooking.

Note: When you choose A8 cake, please do not put the cake into the oven at the beginning. The oven needs to be preheated to 180 degree first. After several minutes, the buzzer sounds twice to remind you to put the cake into the oven. After putting the cake in the oven, please press start again. The timer will count down, and the cake will be cooked perfectly.

10. Defrost by W.T.


- 1) Press "**W.T./TIME DEFROST**" pad once, the oven will display "d-1".

- 2) Turn "  " to select the weight of food. At the same time, "g" will light. The weight should be within 100-2000g.

- 3) Press "**START/+30SEC./CONFIRM**" key to start defrosting.

11. Defrost by Time

- 1) Press " **W.T./TIME DEFROST** " key twice, the oven will display "d-2".

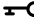
- 2) Turn "  " to select the cooking time. The maximum setting time is 95 minutes.


- 3) Press " **START/+30SEC./CONFIRM** " key to start defrosting.

12. Inquiring Function

- (1) During cooking state, press "**KITCHEN TIMER/CLOCK**" to check the current time. It will be displayed for 2-3 seconds.
- (2) In cooking state, press "**MICROWAVE**", "**GRILL/ COMBI.**" or "**CONVECTION**", the current power will be displayed for 2-3 seconds.

13. Child Lock

Lock: In waiting state, press "**STOP/CLEAR**" for 3 seconds, there will be a long "beep" denoting entering into the children-lock state and "  " indicator will light. LED will display current time or 0:00.

Unlock: In locked state, press "**STOP/CLEAR**" for 3 seconds, there will be a long "beep" denoting that the lock is released, and "  " indicator will disappear.

14. Specification

- (1) The buzzer will sound once when turning the knob at the beginning.
- (2) "**START/+30 SEC./CONFIRM**" must be pressed to continue cooking if the door is opened during cooking.
- (3) Once the cooking programmer has been set , "**START/+30 SEC./CONFIRM**" is not pressed in 5 minutes. The current time will be displayed. The setting will be cancelled.
- (4) The buzzer sounds once by efficient press, inefficient press will be no response.
- (5) The buzzer will sound five times to remind you when cooking is finished.

Trouble shooting

Normal	
Microwave oven interfering TV reception	Radio and TV reception may be interfered when microwave oven operating. It is similar to the interference of small electrical appliances, like mixer, vacuum cleaner, and electric fan. It is normal.
Dim oven light	In low power microwave cooking, oven light may become dim. It is normal.
Steam accumulating on door, hot air out of vents	In cooking, steam may come out of food. Most will get out from vents. But some may accumulate on cool place like oven door. It is normal.
Oven started accidentally with no food in.	It is forbidden to run the unit without any food inside. It is very dangerous.

Trouble	Possible Cause	Remedy
Oven can not be started.	(1) Power cord not plugged in tightly.	Unplug. Then plug again after 10 seconds.
	(2) Fuse blowing or circuit breaker works.	Replace fuse or reset circuit breaker (repaired by professional personnel of our company)
	(3) Trouble with outlet.	Test outlet with other electrical appliances.
Oven does not heat.	(4) Door not closed well.	Close door well.
Glass turntable makes noise when microwave oven operates	(5) Dirty roller rest and oven bottom.	Refer to "Maintenance of Microwave" to clean dirty parts.



According to Waste of Electrical and Electronic Equipment (WEEE) directive, WEEE should be separately collected and treated. If at any time in future you need to dispose of this product please do NOT dispose of this product with household waste. Please send this product to WEEE collecting points where available.

Micro-Ondes
INSTRUCTION DE L'UTILISATEUR
MODELE: F45CMWD9X

Lisez attentivement ces instructions avant d'utiliser votre four à micro-ondes, et conservez-la précieusement.

Si vous suivez les instructions, votre four vous fournira de nombreuses années de bon service.

CONSERVER CES INSTRUCTIONS

PRÉCAUTIONS POUR ÉVITER UNE EXPOSITION POSSIBLE À UNE ÉNERGIE MICRO-ONDE EXCESSIVE

(a) N'essayez pas de faire fonctionner ce four avec la porte ouverte car ceci pourrait entraîner une exposition dangereuse à l'énergie micro-onde. Il est important de ne pas détruire ou de ne pas essayer de forcer les verrous de sécurité.

(b) Ne placez pas d'objet entre la façade et la porte du four et ne laissez pas de résidus ou de produits d'entretien s'accumuler sur les surfaces d'étanchéité.

(c) AVERTISSEMENT: Si la porte ou les joints de porte sont endommagés, le four ne doit pas être utilisé jusqu'à ce qu'il soit réparé par une personne compétente.

ADDENDUM

Si l'appareil n'est pas maintenu dans un bon état de propreté, sa surface peut être dégradée, affecter la durée de vie de l'appareil et entraîner une situation dangereuse.

Spécifications

Modèle:	F45CMWD9X
Tension nominale:	230V~50Hz
Puissance d'entrée (micro-ondes):	1450W
Puissance de sortie nominale (micro-ondes):	900W
Puissance d'entrée (Grill):	1100W
Puissance d'entrée (Convection):	2500W
Capacité du four:	25 L
Diamètre Plaque tournante :	∅315 mm
Dimensions externes:	595×470 ×388 mm
Poids Net:	Approx. 21,5 kg

CONSIGNES DE SÉCURITÉ IMPORTANTES AVERTISSEMENT

Pour réduire le risque d'incendie, de décharge électrique, de blessures ou d'exposition à une énergie excessive du four micro-ondes lors de l'utilisation de votre appareil, suivez des précautions élémentaires, comprenant les suivantes:

1. Avertissement: Les liquides et les autres aliments ne doivent pas être chauffés dans des récipients fermés hermétiquement car ils sont susceptibles d'exploser.
2. Avertissement: Il est dangereux pour quiconque d'autre qu'une personne compétente de retirer un couvercle protégeant contre l'exposition à l'énergie micro-onde.
3. Cet appareil peut être utilisé par des enfants âgés de 8 ans et plus et les personnes dont les capacités physiques, sensorielles ou mentales ou manquant d'expérience et de connaissances si elles ont été formées et encadrées pour l'utilisation de cet appareil en toute sécurité et de comprendre les dangers impliqués. Les enfants ne doivent pas jouer avec l'appareil. Nettoyage et entretien ne sont pas réalisés par des enfants, sauf s'ils sont âgés de 8 et supervisés.
4. Gardez l'appareil et son cordon hors de portée des enfants de moins de 8 ans.
5. Utilisez uniquement des ustensiles adaptés à une utilisation dans un four micro-ondes.
6. Le four doit être nettoyé régulièrement et les résidus d'aliments doivent être enlevés.
7. Lisez et suivez le paragraphe spécifique «PRÉCAUTIONS POUR ÉVITER UNE EXPOSITION POSSIBLE À UNE ÉNERGIE MICRO-ONDE EXCESSIVE»
8. Si vous réchauffez les aliments dans des récipients en plastique ou en papier, surveillez le four en raison de la possibilité d'inflammation.

9. Si de la fumée apparaît, éteignez ou débranchez l'appareil et laissez la porte fermée afin d'étouffer les flammes.
10. Ne faites pas trop cuire les aliments.
11. N'utilisez pas la cavité à des fins de stockage. Ne stockez pas de produits, tels que du pain, des biscuits, etc. à l'intérieur du four.
12. Retirez les attaches et les poignées métalliques des récipients et des sacs en papier ou en plastique avant de les placer dans le four.
13. Installez ou situez ce four uniquement selon les consignes d'installation fournies.
14. Les œufs à la coque et les œufs durs entiers ne doivent pas être chauffés dans un four micro-ondes car ils peuvent exploser, même après la fin de la cuisson au micro-ondes.
15. Cet appareil est destiné à être utilisé dans des applications domestiques et similaires, tels que:
 - le personnel des cuisines dans les magasins, bureaux et autres environnements de travail;
 - par les clients dans les hôtels, motels et autres environnements de type résidentiel, maisons;
 - Hotel bed and breakfast.
16. Si le cordon d'alimentation est endommagé, il doit être remplacé par le fabricant, son réparateur ou une personne de qualification équivalente afin d'éviter tout danger.
17. Ne rangez pas et n'utilisez pas cet appareil à l'extérieur.
18. N'utilisez pas ce four à proximité de l'eau, d'une piscine ou dans un sous-sol humide.
19. La température des surfaces accessibles peut être élevée quand l'appareil fonctionne. Les surfaces sont susceptibles d'être chaudes lors de l'utilisation. Maintenez le cordon éloigné des surfaces chaudes et ne couvrez pas les orifices d'aération du four.

20. Ne laissez pas le cordon suspendu sur le coin d'une table ou d'un plan de travail.
21. Ne pas maintenir le four dans un bon état de propreté peut entraîner la détérioration de la surface, ce qui peut affecter la durée de vie de l'appareil et causer un danger.
22. Le contenu des biberons et des petits pots pour bébés doit être remué ou secoué et la température doit être vérifiée avant consommation afin d'éviter les brûlures.
23. Réchauffer des boissons au micro-ondes peut entraîner une ébullition éruptive à retardement, par conséquent soyez vigilant en saisissant le récipient.
24. L'appareil n'est pas prévu pour être utilisé par des personnes (y compris les enfants) dont les capacités physiques, sensorielles ou mentales sont réduites ou des personnes manquant d'expérience et de connaissance, sauf si elles ont pu bénéficier, par une personne responsable de leur sécurité, d'une surveillance ou d'instructions concernant l'utilisation de l'appareil.
25. Les enfants doivent être surveillés afin de s'assurer qu'ils ne jouent pas avec l'appareil.
26. Les appareils ne sont pas destinés à être actionnés au moyen d'une minuterie externe ou un système de commande à distance séparé.
27. Les parties accessibles peuvent devenir chaudes pendant l'utilisation.
Les jeunes enfants doivent être tenus à l'écart.
28. Nettoyeur vapeur ne doit pas être utilisé.
29. Lors de l'utilisation l'appareil devient chaud. Il faut prendre soin de ne pas toucher les éléments chauffants à l'intérieur du four.
30. N'utilisez que la sonde de température recommandée pour ce four. (Pour les fours munis d'une possibilité d'utiliser une sonde thermique).

31. ATTENTION: L'appareil et ses parties accessibles deviennent chauds pendant l'utilisation. Il faut prendre soin de ne pas toucher les éléments chauffants. Les enfants de moins de 8 ans doivent être tenus à l'écart à moins surveillée en permanence.

32. Le four à micro-ondes doit être utilisé avec l'ouverture de la porte décorative. (Pour les fours avec une porte décorative.)

33. Surface d'une armoire de stockage peut devenir chaud.

LIRE ATTENTIVEMENT ET CONSERVER POUR CONSULTATION

Pour réduire le risque de blessures aux personnes

Installation de mise à la terre

GEVAAR

Risque de décharge électrique. Toucher certains composants internes peut causer des blessures graves ou la mort. Ne démontez pas cet appareil.

AVERTISSEMENT

Risque de décharge électrique
Une utilisation incorrecte de la mise à la terre peut entraîner une décharge électrique. Ne branchez pas l'appareil à une prise tant qu'il n'est pas correctement installé et relié à la terre.

Cet appareil doit être relié à la terre. En cas de court-circuit électrique, la mise à la terre réduit le risque de décharge électrique en procurant un câble d'évacuation au courant électrique.

Cet appareil est équipé d'un cordon avec un câble de terre et une fiche de terre. La fiche doit être branchée dans une prise correctement installée et mise à la terre.

Consultez un électricien ou un technicien de service qualifiés si vous ne comprenez pas totalement les consignes de mise à la terre ou si vous vous demandez si l'appareil est correctement raccordé à la terre.

Si une rallonge électrique est nécessaire, utilisez uniquement une rallonge électrique à 3 fils.

1. Un câble d'alimentation court est fourni pour réduire les risques provoqués en trébuchant ou en s'empêtrant dans un cordon plus long.
2. Si un cordon long ou une rallonge électrique sont utilisés:
 - 1) Le capacité nominale indiquée du cordon ou de la rallonge doit être au moins égale à la capacité nominale de l'appareil.
 - 2) La rallonge électrique doit être un cordon à 3 fils avec mise à la terre.
 - 3) Le cordon long doit être disposé de manière à ne pas être tendu au-dessus du coin d'une table ou d'un plan de travail, où il peut être tiré par des enfants ou provoquer un trébuchement involontaire.

NETTOYAGE

N'oubliez pas de débrancher l'appareil de l'alimentation électrique.

1. Nettoyez la cavité du four après l'avoir utilisé avec un chiffon légèrement humide.
2. Nettoyer les accessoires de la manière habituelle dans de l'eau savonneuse.
3. Le cadre de la porte et le joint et les pièces voisines doivent être nettoyés soigneusement avec un chiffon humide lorsqu'ils sont sales.
4. Ne pas utiliser de nettoyeurs abrasifs ou de grattoirs métalliques pour nettoyer la vitre de la porte du four car ils peuvent rayer la surface, ce qui peut entraîner briser du verre.
5. Conseils de nettoyage --- Pour faciliter le nettoyage des parois de la cavité que les aliments cuits peuvent toucher: Placez un demi-citron dans un bol, ajouter 300 ml (1/2 pinte) d'eau et de la chaleur sur une puissance de 100% micro-ondes pendant 10 minutes. Essayez le four avec un chiffon doux et sec.

USTENSILES

ATTENTION

Risque de blessure

Il est dangereux pour toute personne non compétente d'effectuer une opération d'entretien ou de réparation nécessitant de retirer un couvercle protégeant contre l'exposition à l'énergie micro-onde.

Consultez les consignes dans la rubrique «Matières que vous pouvez utiliser dans le four micro-ondes ou à éviter dans le four micro-ondes». Certains ustensiles non métalliques ne sont pas micro-ondables. En cas de doute, vous pouvez tester l'ustensile en question en suivant la procédure ci-dessous.

Contrôle de l'ustensile:

1. Dans un récipient pour four micro-ondes, versez une tasse d'eau froide (250 ml) et ajoutez l'ustensile en question.
2. Faites chauffer à la puissance maximale pendant 1 minute.
3. Touchez attentivement l'ustensile. Si l'ustensile vide est chaud, ne l'utilisez pas pour cuire au micro-ondes.
4. **N'excédez pas un temps de cuisson d'1 minute.**

Matières que vous pouvez utiliser dans le four micro-ondes

Ustensiles	Remarques
Papier aluminium	Uniquement protection. Des petites pièces lisses peuvent être utilisées pour couvrir les parties fines de la viande ou de la volaille pour empêcher la sur-cuisson. Un arc peut se produire si le papier est trop proche des parois du four. Le papier devrait être à au moins 1 pouce (2,5cm) des parois du four.
Plat dorant	Suivez les instructions du fabricant. L'arrière du plat dorant doit être au moins de 3/16 pouce (5cm) sur la table tournante. Un usage incorrect peut entraîner la cassure de la table tournante.
Vaisselle	Seulement sécurité du four à micro-ondes. Suivez les instructions du fabricant. N'utilisez pas de vaisselle cassée ou ébréchée.
Bocaux de verre	Enlevez toujours le couvercle. Utilisez seulement pour chauffer de la nourriture jusqu'à qu'elle soit chaude. La plupart des bocaux de verre ne sont pas résistants à la chaleur et peuvent se casser.
Verrerie	Seulement de la verrerie de four résistant à la chaleur. Soyez sûr qu'il n'y a pas de coupe métallique. N'utilisez pas de vaisselle cassée ou ébréchée.
Sacs de cuisson du four	Suivez les instructions du fabricant. Ne les fermez pas avec une cravate en métal. Faites des fentes pour permettre à la vapeur de s'échapper.
Plats en papier et coupes	Utilisez seulement pour une cuisson courte/chaude. Ne laissez pas le four sans surveillance pendant la cuisson.
Serviettes en papier	Utilisez pour couvrir la nourriture pour réchauffer et absorber le gras. Utilisez seulement avec supervision pour une cuisson courte.
Papier de parchemin	Utilisez comme une couverture pour empêcher l'éclaboussement ou un châte pour fumer.
Plastique	Uniquement sécurité du four à micro-ondes. Suivez les instructions du fabricant. Devrait être labélisé "Four à micro-ondes sur". Certains conteneurs plastiques adoucissent, comme la nourriture à l'intérieur chauffe. "Les sacs de bouillonnement" et les sacs fermés étroitement devraient être en fente, percés ou déchargés comme il est dit par le paquet.
Film alimentaire	Uniquement sécurité du four à micro-ondes. Utilisez pour couvrir la nourriture pendant la cuisson pour retenir l'humidité. N'autorisez pas à du film alimentaire de toucher la nourriture.
Thermomètre	Uniquement sécurité du four à micro-ondes (viande et thermomètres de confiserie)
Papier sulfurisé	Utilisez comme une couverture pour empêcher l'éclaboussement ou retenir

Matériaux à être évités dans le four à micro-ondes

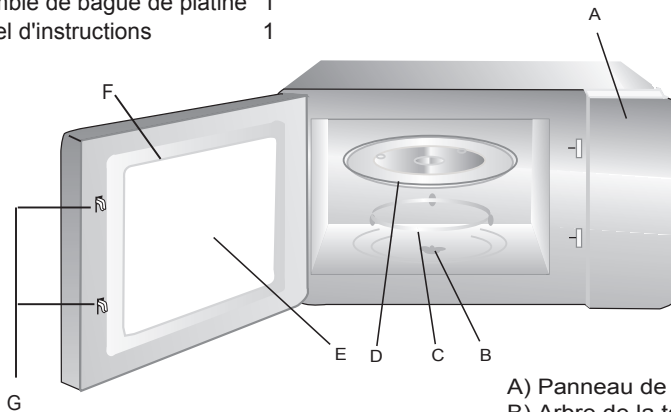
Ustensiles	Remarques
Plateau d'aluminium	Peut causer des arcs. Transférez la nourriture dans une vaisselle sûr de four à micro-ondes.
Carton de nourriture avec poignée en métal	Peut causer des arcs. Transférez la nourriture dans une vaisselle sûr de four à micro-ondes.
Métal ou ustensiles	Plaques de métal la nourriture de l'énergie du four à micro-ondes. La coupe du métal peut entraîner un arc.
Cravates de zigzag en métal	Peut entraîner un feu dans le four.
Sacs en papier	Possono causare esplosioni nel forno.
Mousse en plastique	La mousse en plastique peut faire fondre le liquide à l'intérieur quand il est exposé à une température élevée.
Bois	Le bois s'assèchera quand il est utilisé dans le four à micro-ondes et peut éclabousser ou se casser.

CONFIGURATION DE VOTRE FOUR

Noms des pièces du four et accessoires

Retirer du four et tous les matériaux de l'emballage et de la cavité du four. Votre four est livré avec les accessoires suivants:

Plateau en verre	1
Ensemble de bague de platine	1
Manuel d'instructions	1

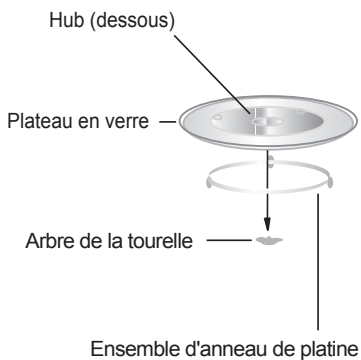


- A) Panneau de commande
- B) Arbre de la tourelle
- C) Ensemble d'anneau de platine
- D) Plateau en verre
- E) Fenêtre d'observation
- F) Assemblage de portes
- G) Le système de verrouillage de sécurité



Grill Rack (utilisé uniquement en fonction de grill / convection et être placé sur le plateau en verre)

Installation de la tourelle



- Ne jamais placer le plateau en verre à l'envers. Le plateau en verre ne doit jamais être restreint.
- Le plateau en verre et l'assemblage de l'anneau de platine doivent toujours être utilisés pendant la cuisson.
- Tous les aliments et les récipients d'aliments sont toujours placés sur le plateau en verre pour la cuisson.
- Si le plateau en verre ou des fissures de montage d'anneau de platine ou de ruptures, contactez votre centre de service agréé le plus proche.

Installation du comptoir

Retirez tous les matériaux d'emballage et les accessoires.
Vérifiez le four pour tout dommage éventuel tels que des bosses ou une porte cassée.
Ne pas installer un four endommagé.

Cabinet: Retirez le film de protection sur la surface de l'armoire de four à micro-ondes.
Ne pas retirer le couvercle Mica brun clair qui est attaché à la cavité du four pour protéger le magnétron.

Installation and connection

1. Cet appareil est uniquement destiné à un usage domestique.
2. Ce four est destiné à un usage unique. Il n'est pas destiné à être utilisé comme comptoir ou pour une utilisation à l'intérieur d'un placard.
3. Veuillez respecter les instructions d'installation spéciales.
4. L'appareil peut être installé dans un mur de 60cm de large monté placard (à bail 55cm de profondeur et 85cm du sol).
5. L'appareil est équipé d'une fiche et ne doit être relié à une prise de terre correctement installée.
6. La tension d'alimentation doit correspondre à la tension indiquée sur la plaque signalétique.
7. La prise doit être installée et un câble de raccordement doit être remplacé par un électricien qualifié. Si la fiche n'est plus accessible après l'installation, tous les pôles dispositif de déconnexion doivent être présents sur le côté de l'installation avec une intervalle de coupure d'au moins 3mm.
8. Adaptateurs, bandes multivoies et de rallonges ne doivent pas être utilisés. La surcharge peut entraîner un risque d'incendie.

La surface accessible peut être chaude pendant le fonctionnement.



Instructions pour l'installation

Veillez lire attentivement le manuel avant installation

Veillez noter

Raccordement électrique

Le four est équipé d'une fiche et ne doit être relié à une prise de terre correctement installée. La prise ne doit être installée et le câble de raccordement ne doit être remplacé par un électricien qualifié, et en conformité avec les règlements appropriés. Si la fiche n'est plus accessible après l'installation, tous les pôles sectionneur doivent être présents sur le côté de l'installation avec une intervalle de coupure d'au moins 3 mm.

L'armoire équipée ne doit pas avoir un mur derrière l'appareil.

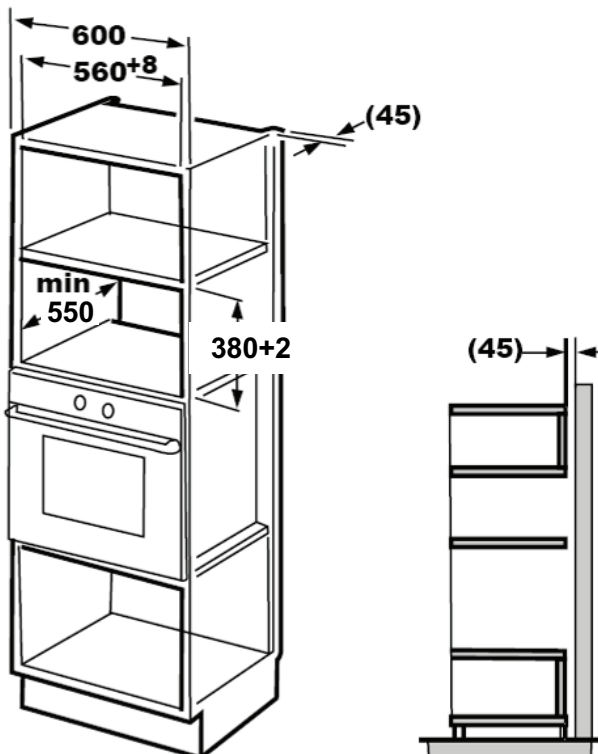
Hauteur d'installation minimale: 85 cm.

Ne couvrez pas les fentes de ventilation et les trous d'aspiration.

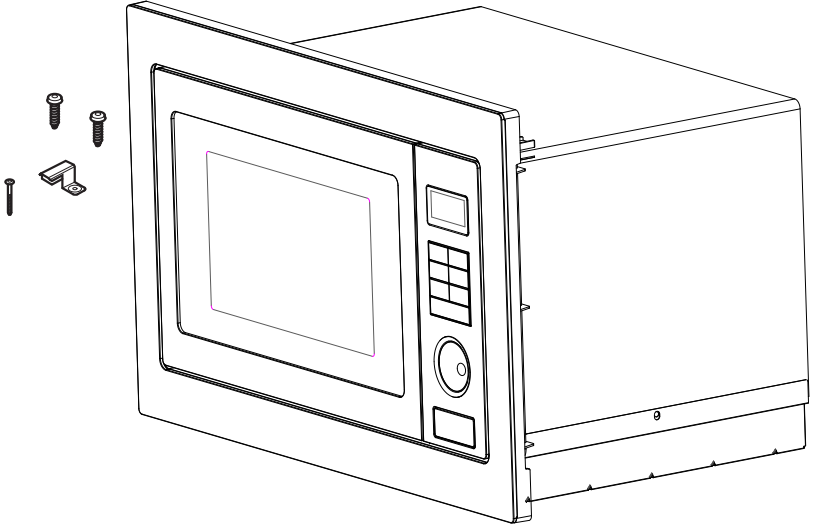
Remarque:

Ne pas coincer ou plier le câble d'alimentation.

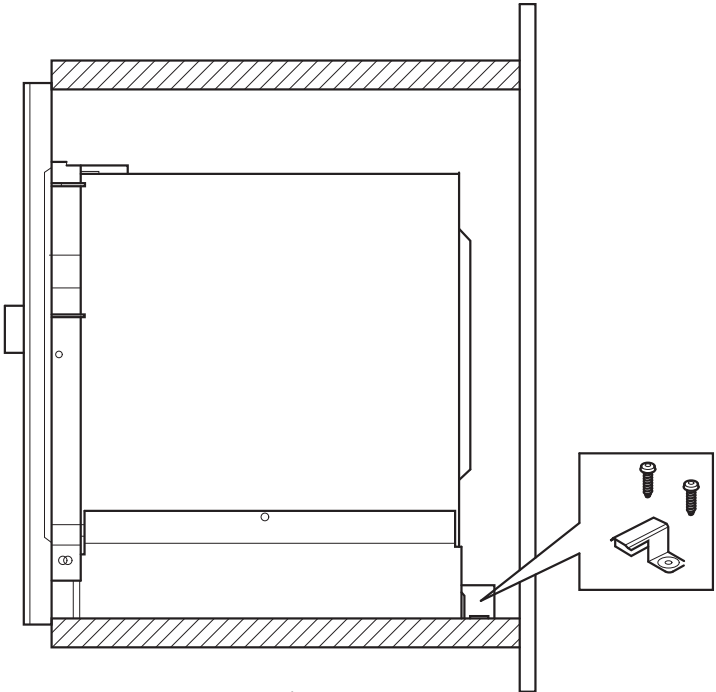
A. intégré dans le mobilier



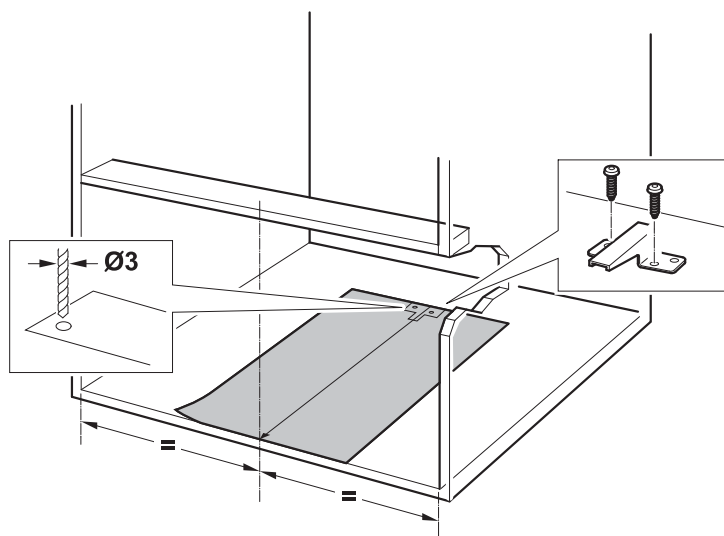
2.



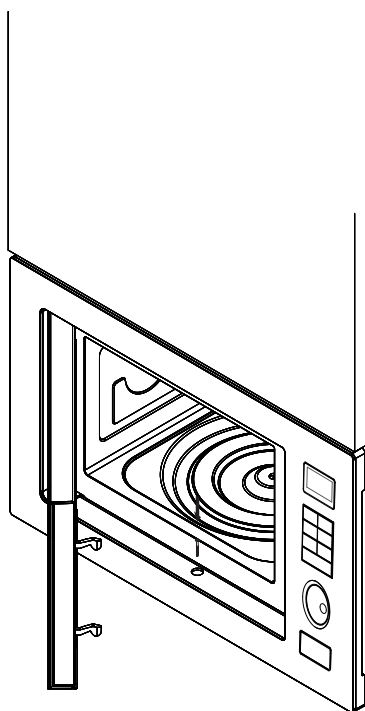
3.



4.



5.




INSTRUCTION D'UTILISATION

Ce four à micro-ondes utilise le contrôle électronique moderne pour répondre aux mieux à vos besoins pour la cuisson.

1. Réglage de l'horloge

Lorsque le four est allumé, le four affichera «0:00», et la sonnerie sonnera une fois.

1) Appuyez sur "**CUISINE TIMER/HORLOGE**" deux fois, Affiche "00:00".

2) Tourner " " Pour régler les chiffres heure, le temps d'entrée doit être comprise entre 0 - 23 (24 heures).

3) Appuyez sur "**CUISINE TIMER/HORLOGE**", les chiffres des minutes se met à clignoter.

4) Tourner " " pour ajuster les chiffres des minutes, le temps d'entrée doit être comprise entre 0-59.


5) Appuyez sur "**CUISINE TIMER/HORLOGE**" pour terminer le réglage de l'horloge. ":" Clignote.

Note: 1) Si l'horloge n'est pas réglée, il ne serait pas fonctionner lorsqu'il est alimenté.

2) Pendant le processus de réglage de l'horloge, si vous appuyez sur "**TERMINEZ / EFFACEZ**", le four va revenir à l'état précédent automatiquement.

2. Minuterie de cuisson

(1) Appuyez sur "**CUISINE TIMER/HORLOGE**" une fois. LED affichera 00:00.

(2) Tourner " " pour entrer dans le temps exact. (Le temps de cuisson maximal est de 95 minutes.)


(3) Appuyer sur "**COMMENCEZ/+30SEC./CONFIRMER**" pour confirmer le réglage.

(4) Lorsque le temps de la cuisine est atteint, la sonnerie retentira 5 fois.

Si l'horloge a été réglée sur le système de 24 heures, LED affichera l'heure actuelle.

Remarque: L'heure de la cuisine est différente de système de 24 heures, minuterie de cuisine est une minuterie.

3. Cuisson micro-ondes


Appuyez sur "**MICRO**" le LED affichera "P100". Appuyez sur "**MICRO**" pour fois pour choisir la puissance que vous voulez, "P100", "P80", "P50", "P30" ou "P10" s'affiche à chaque pression supplémentaire. Ensuite, appuyez sur "**COMMENCEZ/+30SEC./CONFIRMER**" pour confirmer, et tourner " " pour régler le temps de cuisson à partir de 0:05 à 95:00. Appuyez sur "**COMMENCEZ/+30SEC. /CONFIRMER**" pour commencer la cuisson.

Exemple: si vous souhaitez utiliser 80% de la puissance du micro-onde pour cuire pendant 20 minutes, vous pourrez utiliser le four selon les étapes suivantes.

1) Appuyez sur "**MICRO**" une fois, l'écran d'affichage "P100".

2) Appuyez sur "**MICRO**" une fois de plus de choisir 80% de la puissance du micro-onde.

3) Appuyez sur "**COMMENCEZ/+30SEC./CONFIRMER**" pour confirmer et l'écran affiche "P 80".

4) Tourner " " pour ajuster le temps de cuisson jusqu'à ce que le four affiche "20:00".

5) Appuyez sur "**COMMENCEZ/+30SEC./CONFIRMER**" pour commencer la cuisson.
Note: les quantités d'étape pour le temps de réglage de l'interrupteur de codage sont les suivantes:

0---1 min : 5 secondes

1---5 min : 10 secondes

5---10 min : 30 secondes



10---30 min : 1 minute

30---95 min : 5 minutes

Micro-ondes Tableau électrique

Presser	Une fois	Deux fois	Trois fois	4 fois	5 fois
Microwave voeding	100%	80%	50%	30%	10%


4. Grill ou Combi. Cooking

Appuyez sur "**Grill / Combi.**" le LED affichera "G-1" et appuyez sur "**Grill / Combi.**" pour les heures ou tournez la " " pour choisir la puissance que vous voulez, "G-1", "C-1", "C-2", "C-3" ou "C-4" s'affiche à chaque pression supplémentaire. Ensuite, appuyez sur "**COMMENCEZ/+30SEC./CONFIRMER**" pour confirmer, et tourner " " pour régler le temps de cuisson à partir de 0:05 à 95:00.

Appuyez sur "**COMMENCEZ/+30SEC./CONFIRMER**" pour commencer la cuisson.
 Exemple: si vous souhaitez utiliser la puissance du gril pour cuire pendant 10 minutes, vous pourrez utiliser le four selon les étapes suivantes.

1) Appuyez sur "**Grill / Combi.**" une fois, l'affichage de l'écran "G-1".

2) Appuyez sur "**COMMENCEZ/+30SEC./CONFIRMER**" pour confirmer.

3) Tourner " " pour ajuster le temps de cuisson jusqu'à ce que le four affiche "10:00".

4) Appuyez sur "**COMMENCEZ/+30SEC./CONFIRMER**" pour démarrer la cuisson.



Remarque: Si la moitié du temps de la grille passe, le four sonne deux fois, c'est normal. Afin d'avoir un meilleur résultat pour griller les aliments, vous devriez retourner les aliments, fermez la porte, puis appuyez sur "**COMMENCEZ/+30SEC./CONFIRMER**" pour continuer cooking. Si aucune opération, le four continuer à travailler.

Remarque: Les instructions de combinaison

Instructions	Affichage	Microondes	Grill	Convection
1	C-1	●		●
2	C-2	●	●	
3	C-3		●	●
4	C-4	●	●	●


5. Cuisson par convection (avec fonction de préchauffage)

La cuisson par convection peut vous permettre de faire cuire les aliments dans un four traditionnel. Le Micro-ondes n'est pas utilisé. Il est recommandé que vous devez préchauffer le four à la température appropriée avant de placer les aliments dans le four.


- 1) Appuyez sur la touche "**CUISSON**" une fois, "130" flash
- 2) Maintenez la touche "**CUISSON**" ou tourner "  " pour sélectionner la fonction de convection.
Remarque: la température peut être choisie entre 130 degrés à 220 degrés.
- 3) Appuyez sur la touche "**COMMENCEZ/+30SEC./CONFIRMER**" pour confirmer la température.
- 4) Appuyez sur la touche "**COMMENCEZ/+30SEC./CONFIRMER**" pour démarrer le préchauffage. Lorsque la température de préchauffage est atteinte, la sonnerie retentit deux fois pour vous rappeler de mettre les aliments dans le four. Et la température de préchauffage est affiché et clignote.
- 5) Placez les aliments dans le four et fermez la porte.
Tourner "  " pour régler le temps de cuisson. (Le temps de réglage maximum est de 95 minutes.)
- 6) Appuyez sur la touche "**COMMENCEZ/+30SEC./CONFIRMER**" pour commencer la cuisson.

Note: a. Le temps de cuisson ne peut pas être saisi tant que la température de préchauffage n'est pas atteinte. Si la température est atteinte, la porte doit être ouverte pour entrer le temps de cuisson.
b. Si le temps n'est pas entré en 5 minutes, le four arrêtera le préchauffage. Le son retentit cinq fois et retourner en état d'attente.

6. Cuisson par convection (sans fonction de préchauffage)

- 1) Appuyez sur la touche "**CUISSON**" une fois, "130" flash.
- 2) Maintenez la touche "**CUISSON**" ou tourner "  " pour sélectionner la fonction de convection.
Remarque: la température peut être choisie entre 130 degrés à 220 degrés.

- 3) Appuyez sur la touche "**COMMENCEZ/+30SEC./CONFIRMER**" Pour confirmer la température

- 4) Tourner "  " pour régler le temps de cuisson. (Le temps de réglage maximum est de 95 minutes.)



- 5) Appuyez sur la touche "**COMMENCEZ/+30SEC./CONFIRMER**" pour commencer la cuisson.

7. Cuisine multi-étape

Deux étapes peuvent être réglés au maximum. Par exemple l'étape décongélation elle devra être faite en première étape. Le buzzer sonne une fois après chaque étape et la prochaine étape commence.

Remarque: Le menu automatique et de préchauffage ne peuvent pas être définis comme l'une des multi-étapes.

Exemple: si vous voulez décongeler les aliments pendant 5 minutes, puis faire cuire avec 80% de puissance du micro-ondes pendant 7 minutes. Les étapes sont les suivantes:

- 1) Appuyez sur "**POIDS / TEMPS DE DEGIVRAGE**" deux fois, l'écran affiche "d-2";
- 2) Tourner "  " pour ajuster le temps de dégivrage de 5 minutes;
- 3) Appuyez sur "**MICRO**" une fois;
- 4) Appuyez sur "**MICRO**" pour choisir 80% de la puissance du micro-ondes jusqu'à ce que l'affichage "P80";
- 5) Appuyez sur "**COMMENCEZ/+30SEC./CONFIRMER**" pour confirmer;
- 6) Tourner "  " pour ajuster le temps de cuisson de 7 minutes;
- 7) Appuyez sur "**COMMENCEZ/+30SEC./CONFIRMER**" pour commencer la cuisson.

8. Cuisson rapide



- 1) Dans l'état d'attente, appuyez sur "**COMMENCEZ/+30SEC./CONFIRMER**" pour cuisiner avec le niveau de puissance de 100% pendant 30 secondes. Chaque pression sur la même touche permet d'augmenter de 30 secondes. Le temps de cuisson maximal est de 95 minutes.
- 2) Pendant cuisson, grill, convection et combinaison, appuyez sur "**COMMENCEZ/+30SEC./CONFIRMER**" pour cuisiner avec le niveau de puissance de 100% pendant 30 secondes. Chaque pression sur la même touche permet d'augmenter de 30 secondes.

Remarque: cette fonction ne peut pas fonctionner sous dégivrage et la cuisson du menu automatique.

Automenu tabel


Menu	Poids	Affichage	Puissance
A1 Chauffer automatique	150 g	150	100%
	250 g	250	
	350 g	350	
	450 g	450	
	600 g	600	
A2 Patate	1 (≈230g)	1	100%
	2 (≈460g)	2	
	3 (≈690g)	3	
A3 Viande	150 g	150	100%
	300 g	300	
	450 g	450	
	600 g	600	
A4 Légumes	150 g	150	100%
	350 g	350	
	500 g	500	
A5 Poisson	150 g	150	80%
	250 g	250	
	350 g	350	
	450 g	450	
	650 g	650	
A6 Pate	50 (avec eau 450ml)	50	80%
	100 (avec eau 800ml)	100	
	150 (avec eau 1200ml)	150	
A7 Soupe	200 ml	200	100%
	400 ml	400	
	600 ml	600	
A8 Gateau	475 g	475	Réchauffer le four à 180 degrés
A9 PIZZA	200 g	200	C-4
	300 g	300	
	400 g	400	
A10 Poulet	500 g	500	C-4
	750 g	750	
	1000 g	1000	
	1200 g	1200	

9. Menu automatique

- 1) En mode attente, tournez "  " à droite pour choisir la fonction voulue, et "A1", "A2", "A3" "A10" s'affiche.
 - 2) Appuyez sur "**Commencez / +30Sec. / Confirmer**" pour confirmer le menu dont vous avez besoin.
 - 3) Tourner "  " pour choisir le poids de menus, et l'indicateur "g" s'allume.
 - 4) Appuyez sur "**Commencez / +30Sec. / Confirmer**" pour commencer la cuisson.
- Remarque: Lorsque vous choisissez A8 gâteau, merci de ne pas mettre le gâteau dans le four au début. Le four doit être préchauffé à 180 degrés en premier. Après plusieurs minutes, la sonnerie retentit deux fois pour vous rappeler de mettre le gâteau dans le four. Après avoir mis le gâteau dans le four, Veuillez appuyez sur recommencer. La minuterie enclenchera un compte à rebours, et le gâteau sera cuit parfaitement.

10. Dégivrage grâce au poids


- 1) Appuyez sur "**POIDS / TEMPS DE DEGIVRAGE**" une fois, le four affichera "d-1".

- 2) Tourner "  " pour sélectionner le poids de l'aliment. Dans le même temps, "g" s'allumera, le poids devrait être de 100-2000g.

- 3) Appuyez sur "**Commencez / +30Sec. / Confirmer**" pour démarrer la décongélation.

11. Dégivrage grâce heure

- 1) Appuyer sur la touche "**POIDS / TEMPS DE DEGIVRAGE**" deux fois, le four affichera "d-2".


- 2) Tourner "  " pour sélectionner le temps de cuisson. Le temps de réglage maximum est de 95 minutes.


- 3) Appuyez sur "**Commencez / +30Sec. / Confirmer**" pour démarrer la décongélation.

12. Fonction contrôle

- (1) Au cours de la cuisson, appuyez sur "**CUISINE TIMER/HORLOGE**" pour vérifier l'heure actuelle. Elle s'affichera pendant 2-3 secondes.
- (2) En cours de cuisson, appuyez sur "**MICRO**", "**GRILL / COMBI.**" ou "**CONVECTION**" la puissance actuel s'affichera pendant 2-3 secondes.

13 Verrouillage parental

Lock: En mode attente, appuyer sur "**TERMINEZ / EFFACEZ**" pendant 3 secondes, il y aura une longue bop désignant introduction contrôle parentale et l'indicateur suivant "  " s'allumera. La LED affichera l'heure actuelle ou 0:00.

Déverrouillez: En mode verrouillé, appuyez sur "**TERMINEZ / EFFACEZ**" pendant 3 secondes, il y aura une longue bip désignant que le verrouillage est déverrouillé, et l'indicateur suivant "  " disparaîtra.

14. Spécification

- (1) La sonnerie retentit une fois lorsque vous tournez le bouton au début.
- (2) "**Commencez / +30Sec. / Confirmer**" doit être pressée pour continuer la cuisson si la porte est ouverte durant la cuisson.
- (3) Une fois que le programmeur de la cuisine a été réglée, "**Commencez / +30Sec. / Confirmer**" n'est pas pressée dans les 5 minutes. L'heure actuelle sera affichée. Le réglage sera annulé.
- (4) La sonnerie retentit une fois par un pression, mauvaise pression n'aura pas de réponse.
- (5) La sonnerie retentit cinq fois pour vous rappeler que la cuisson est terminée.

Diagnostic des pannes

Normal	
Four à micro-ondes interférant la réception TV	La réception radio et TV peuvent être interféré pendant l'opération du four à micro-ondes. Il est similaire à l'interférence des petits appareils électriques, comme le mixeur, l'aspirateur, et le ventilateur électrique. C'est normal.
Lumière du four terne	En faible puissance de cuisson du four, la lumière du four peut devenir terne. C'est normal.
Accumulation de la vapeur sur la porte, air chaud de tuyaux	En cuisson, la vapeur peut venir en dehors de la nourriture. La plupart sortira des tuyaux. Mais certains peuvent s'accumuler sur la place fraîche comme la porte ouverte. C'est normal.
Le four a accidentellement démarré sans nourriture	Il est interdit de faire tourner le four sans nourriture à l'intérieur. C'est dangereux.

Panne	Cause possible	Remède
Le four ne peut pas être démarré	(1) Le câble d'alimentation n'est pas fermement branché.	Débranchez. Rebranchez après 10 secondes.
	(2) Fusible soufflant ou court-circuit fonctionne.	Remplacez le fusible ou réinitialisez le court-circuit (réparé par un personnel professionnel de notre compagnie)
	(3) Panne avec la sortie.	Testez la sortie avec d'autres matériels électriques.
Le four ne produit pas de chaleur	(4) La porte n'est pas bien fermée.	Fermez bien la porte.
La plaque tournante produit du bruit quand le four à micro-ondes tourne	(5) Repos de rouleau sal et arrière du four.	Référez-vous à "Maintenance d'un four à micro-ondes" pour nettoyer les parties sales.



Selon la directive de gaspillage des équipements électriques et électroniques (WEEE), la WEEE devrait être séparément collecté et traité. Si à un moment dans le futur vous avez besoin de vous débarrasser de ce produit ne le jetez PAS avec les ordures ménagères. Envoyez ce produit aux points de collecte WEEE disponibles.

Forno Microonde
MANUALE D'USO
MODELLO: F45CMWD9X

Leggere attentamente le istruzioni prima di utilizzare il forno a microonde e conservare con cura il presente manuale.

Se si seguono le istruzioni, il forno funzionerà per molti anni in maniera efficiente.

CONSERVARE LE ISTRUZIONI ATTENTAMENTE

PRECAUZIONI PER EVITARE LA POSSIBILE ESPOSIZIONE A ECCESSIVA ENERGIA MICROONDE

(a) Non tentare di far funzionare il forno con la porta aperta, in quanto questo può comportare un'esposizione dannosa all'energia a microonde. E' importante non vanificare o manomettere i blocchi di sicurezza.

(b) Non collocare alcun oggetto tra la parte anteriore del forno e lo sportello e evitare che detergente residuo si accumuli sulle superfici di tenuta.

(c) **AVVERTENZA:** Se la porta o le guarnizioni della porta sono danneggiate, il forno non deve essere utilizzato fino alla sua riparazione da parte di una persona competente.

APPENDICE

Se l'apparecchiatura non è mantenuta in buono stato di pulizia, la sua superficie potrebbe degradarsi ed incidere sulla durata del prodotto fino ad arrivare a situazioni potenzialmente pericolose.

Specifiche

Modello:	F45CMWD9X
Tensione nominale:	230V~50Hz
Potenza nominale d'ingresso (Microonde):	1450W
Potenza nominale in uscita (Microonde):	900W
Potenza nominale in ingresso (Grill):	1100W
Potenza nominale in ingresso (Convezione):	2500W
Capacità forno:	25 L
Diametro piatto girevole:	Ø315 mm
Dimensioni esterne:	595 × 470 × 388 mm
Peso netto:	Appross. 21.5 kg

IMPORTANTI ISTRUZIONI DI SICUREZZA AVVERTENZA

Al fine di ridurre il rischio di ustioni, scosse elettriche, incendi, lesioni a persone o esposizione a un'eccessiva energia da forno a microonde quando si utilizza l'apparecchio, seguire le basilari precauzioni di sicurezza, tra cui le seguenti:

1. **Attenzione:** I liquidi o altri cibi non devono essere riscaldati in contenitori sigillati poiché potrebbero esplodere.
2. **Attenzione:** È pericoloso per qualsiasi persona non competente compiere un'azione di assistenza o di riparazione che comporti la rimozione di una copertura di protezione contro l'esposizione alle microonde.
3. Questo apparecchio può essere utilizzato da bambini di età dagli 8 anni in su e da persone con ridotte capacità fisiche, sensoriali o mentali o con mancanza di esperienza e conoscenza, se vengono controllati o istruiti sull'uso dell'apparecchio in modo sicuro e se comprendono i rischi che ne possono derivare. I bambini non devono giocare con l'apparecchio. La pulizia e la manutenzione non devono essere eseguite dai bambini a meno che non abbiano più di 8 anni e siano sorvegliati.
4. Tenere l'apparecchio e il suo cavo fuori dalla portata dei bambini con meno di 8 anni.
5. Utilizzare solo utensili adatti all'uso nei forni a microonde.
6. Il forno dovrebbe essere pulito regolarmente e gli eventuali depositi di cibo dovrebbero essere rimossi.
7. Leggere e seguire la seguente specifica: "PRECAUZIONI PER EVITARE EVENTUALE ESPOSIZIONE ALL' ECCESSIVA ENERGIA A MICROONDE".
8. Quando si riscalda il cibo in contenitori di plastica o di carta, tenere d'occhio il forno a causa della possibilità di combustione.

9. Se si nota del fumo, spegnere o scollegare l'apparecchio e tenere chiusa la porta per soffocare eventuali fiamme.
- 10 . Non cuocere eccessivamente il cibo .
- 11 . Non usare il vano del forno come deposito.
Non riporre alimenti, come ad esempio pane, biscotti, ecc all'interno del forno .
- 12 . Rimuovere le piattine animate e le impugnature in metallo dai contenitori / sacchi di carta o di plastica prima di mettere gli stessi in forno .
- 13 . Installare o sistemare questo forno solo in conformità con le istruzioni di installazione fornite .
- 14 . Uova in guscio e uova sode non devono essere riscaldate nel forno a microonde in quanto potrebbero esplodere, anche a cottura terminata .
- 15 . Questo apparecchio è destinato ad essere utilizzato in ambienti domestici e simili, quali:
 - aree di cucina con personale in negozi, uffici e altri ambienti di lavoro;
 - da parte dei clienti in hotel, motel e altri ambienti di tipo residenziale ;
 - Agriturismi ;
 - Ambienti tipo bed and breakfast.
- 16 . Se il cavo di alimentazione è danneggiato, deve essere sostituito dal produttore, dal suo tecnico di assistenza o da altro personale qualificato al fine di evitare incidenti.
- 17 . Non conservare o utilizzare questo apparecchio all'aperto.
- 18 . Non usare questo forno in prossimità di acqua, in una cantina umida o vicino a una piscina .
- 19 . La temperatura delle superfici accessibili può essere elevata quando l'apparecchio è in funzione. Le superfici sono soggette a surriscaldarsi durante l'uso. Tenere il cavo lontano da superfici riscaldate e non coprire le feritoie di ventilazione del forno.

20. Non lasciare il cavo pendente dal bordo del tavolo o del piano di appoggio.
21. L'incapacità di mantenere il forno in condizioni pulite potrebbe portare a un deterioramento della superficie che può influire negativamente sulla durata dell'apparecchio e causare situazioni di pericolo.
22. I contenuti di biberon e vasetti di alimenti per bambini devono essere mescolati o agitati e la temperatura va controllata prima del consumo per evitare ustioni.
23. Il riscaldamento a microonde di bevande può causare ebollizione eruttiva ritardata, quindi è necessario prestare attenzione quando si maneggia il contenitore.
24. L'apparecchio non è destinato all'uso da parte di persone (inclusi i bambini) con capacità fisiche, sensoriali o mentali ridotte, o con mancanza di esperienza e conoscenza dell'apparecchiatura, a meno che non siano controllati o istruiti sull'uso dell'apparecchio da parte di una persona responsabile della loro sicurezza.
25. Sorvegliare i bambini per assicurarsi che non giochino con l'apparecchio.
26. Gli apparecchi non sono destinati ad essere azionati mediante un timer esterno o un sistema di comando a distanza separato.
27. Le parti accessibili possono surriscaldarsi durante l'uso. I bambini devono essere tenuti lontano.
28. Non deve essere usato il pulitore a vapore.
29. Durante l'uso l'apparecchio si riscalda. Si deve prestare attenzione a non toccare gli elementi riscaldati all'interno del forno.
30. Utilizzare solo la sonda di temperatura raccomandata per questo forno. (Per i forni dotati di un impianto usare una sonda di rilevamento della temperatura.)

31. ATTENZIONE: L'apparecchio e le sue parti accessibili diventano caldi durante l'uso. Si deve prestare attenzione ad evitare di toccare gli elementi riscaldati. I bambini di meno di 8 anni di età devono essere tenuti lontano a meno che non siano continuamente sorvegliati.

32. Il forno a microonde deve essere utilizzato con la porta decorativa aperta. (per forni con porta decorativa)

33. La superficie di un vano può surriscaldarsi.

LEGGERE ATTENTAMENTE E CONSERVARE PER CONSULTAZIONI
FUTURE

Per ridurre il rischio di lesioni alle persone

Installazione di messa a terra

PERICOLO

Pericolo di scossa elettrica
Toccano alcuni dei componenti interni si potrebbero provocare gravi lesioni personali o morte. Non smontare il dispositivo.

ATTENZIONE

Pericolo di scossa elettrica
Un uso improprio della messa a terra può provocare scosse elettriche. Non collegare a una presa fino a quando l'apparecchio non sia correttamente installato e dopo la messa a terra.

Questo apparecchio deve essere collegato a terra. In caso di un corto circuito elettrico, la messa a terra riduce il rischio di scosse elettriche fornendo un filo di fuga per la corrente elettrica. Questo apparecchio è dotato di un cavo con filo di terra con un polo di terra. La spina deve essere inserita in una presa correttamente installata e messa a terra.

Consultare un elettricista o tecnico qualificato se le istruzioni di messa a terra non sono state comprese perfettamente o se sussistono dubbi sul fatto che l'apparecchio sia collegato a terra. Se è necessario utilizzare un cavo di prolunga, usate solo un cavo di prolunga a 3 fili.

1. Viene fornito un cavo di alimentazione corto per ridurre i rischi derivanti dal rimanere impigliati o di inciampare su un cavo più lungo.

2. Se viene utilizzato un set di cavi lunghi o le prolunghie:

1) le specifiche elettriche del cavo di alimentazione o l'estensione specifiche elettriche del cavo di alimentazione o cavo di prolunga devono essere almeno grandi come la potenza elettrica dell'apparecchio.

2) Il cavo di prolunga deve essere di tipo da messa a terra a 3 fili e

3) Il cavo più lungo deve essere posizionato in modo che non sporga oltre il piano di lavoro o il tavolo per evitare venga tirato da bambini o ci si inciampi.

PULIZIA

Assicurarsi di staccare la spina dalla fonte di alimentazione.

1. Pulire l'interno del forno dopo l'utilizzo con un panno leggermente umido.
2. Pulire gli accessori nel modo tradizionale con acqua e sapone.
3. Lo sportello, le guarnizioni e le parti adiacenti devono essere puliti accuratamente con un panno umido quando sono sporchi.
4. Non utilizzare detergenti abrasivi o raschietti metallici affilati per pulire il vetro della porta del forno, dato che possono graffiare la superficie e provocare la rottura del vetro.
5. Suggerimento di pulizia --- Per facilitare la pulizia delle pareti dell'interno del forno che sono state toccate dal cibo cucinato: mettere mezzo limone in una ciotola, aggiungere 300 ml (1/2 pinta) di acqua e riscaldare al 100% della potenza microonde per 10 minuti. Strofinare il forno pulito con un panno morbido e asciutto.

UTENSILI

ATTENZIONE

Rischio di lesioni personali

Gli utensili ermeticamente chiusi potrebbero esplodere. I contenitori chiusi devono essere aperti e i sacchetti di plastica devono essere forati prima della cottura.

Vedere le istruzioni in "Materiali che si possono utilizzare nel forno a microonde o da evitare nel forno a microonde".

Ci possono essere alcuni utensili non metallici che non si possono usare per la cottura a microonde. In caso di dubbio, è possibile verificare l'utensile in questione, seguendo la procedura di seguito.

Test utensili:

1. Mettere in un contenitore da microonde una tazza di acqua fredda e l'utensile in questione (250ml)
2. Riscaldare per un Massimo di 1 minuti alla massima temperatura.
3. Fare attenzione all'utensile. Se l'utensile vuoto è caldo, allora non può essere usato per la cottura a microonde.

4. Non superare 1 minuto di cottura.

Materiali che si possono usare nel microonde

Utensile	Note
Foglio di alluminio	Solo schermatura. Piccoli pezzi lisci possono essere utilizzati per coprire le parti sottili di carne o pollame per evitare una cottura eccessiva. Può provocare scintille se il foglio è troppo vicino alle pareti del forno. Il foglio deve essere di almeno 1 pollice (2,5 cm) di distanza dalle pareti del forno.
Piatto Browning	Seguire le istruzioni del produttore. Il fondo del piatto browning deve essere di almeno 3/16 di pollice (5mm) sopra il piatto girevole. L'utilizzo non corretto può provocare la rottura del piatto girevole.
Stoviglie	Solo da microonde. Seguire le istruzioni del produttore. Non utilizzare piatti rotti o scheggiati.
Vasi di vetro	Rimuovere sempre il coperchio. Utilizzare solo per riscaldare il cibo per pochi secondi. La maggior parte dei vasetti di vetro non resistono al calore e possono rompersi.
Cristalleria	Solo vetro resistente al calore. Assicurarsi che non vi sia alcuna rifinitura metallica. Non utilizzare piatti rotti o scheggiati.
Sacchetti cottura prolungata	Solo vetro resistente al calore. Assicurarsi che non vi sia alcuna rifinitura metallica. Non utilizzare piatti rotti o scheggiati.
Sacchetti da forno	Utilizzare solo per la cottura/riscaldamento a breve termine. Non lasciare incustodito il forno durante la cottura.
Piatti e bicchieri di carta	Utilizzare per coprire il cibo per il riscaldamento e l'assorbimento dei grassi. Usare con la supervisione di un solo cottura brevi.
Tovaglioli di carta	Usare come copertura per evitare schizzi o di un involucro per cottura a vapore.
Plastica	Solo per microonde. Seguire le istruzioni del produttore. Devono essere etichettati con "Per Microonde". Alcuni contenitori di plastica si ammorbidiscono quando il cibo all'interno si riscalda. "Sacchetti per bollire" e sacchetti di plastica ben chiusi devono essere tagliati, trafitti o ventilati come indicato dal pacchetto.
Carta pergamena	Solo per forno a microonde. Utilizzare per coprire il cibo durante la cottura per trattenere l'umidità. Non permettere che la pellicola tocchi il cibo.
Termometri	Solo per microonde (termometri carne e caramelle).
Carta Oleata	Usare come copertura per evitare schizzi e trattenere l'umidità.

Materiali da non utilizzare nel forno a microonde

Utensile	Note
Vassoio in alluminio	Può causare archi elettrici. Trasferire il cibo in un piatto adatto al microonde.
Cartone cibo con manico in metallo	Può causare archi elettrici. Trasferire il cibo in un piatto adatto al microonde.
Utensili di metalli o bordati di metallo	Il metallo fad a scuso all'energia delle microonde. Le finiture in metallo possono provocare scintille
Legami di torsione del metallo	Possono provocare archi elettrici o esplosione nel forno.
Sacchetti di carta	Possono causare esplosioni nel forno.
Schiuma plastica	Schiuma plastica potrebbe sciogliersi o contaminare il liquido all'interno, quando esposti ad alte temperature.
Legno	Il legno si secca se usato nel forno a microonde e può dividersi o spaccarsi.

Installazione del Vostro forno

Nomi delle parti e accessori del forno

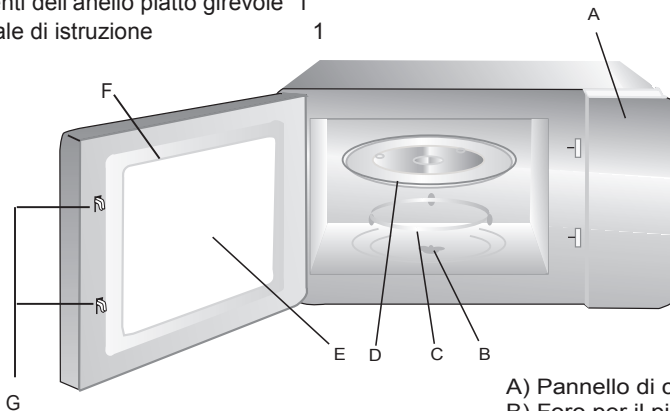
Togliere il forno e tutti i materiali dal cartone e dalla cavità del forno.

Il forno viene fornito con i seguenti accessori:

Vassoio di vetro 1

Elementi dell'anello piatto girevole 1

Manuale di istruzioni 1

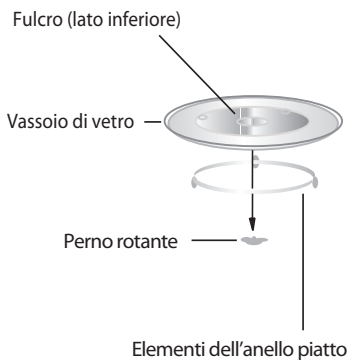


- A) Pannello di controllo
- B) Foro per il piatto girevole
- C) Elementi dell'anello piatto girevole
- D) Vassoio di vetro
- E) Finestra di osservazione
- F) Elementi sportello
- G) Sistema blocco di sicurezza



Griglia per grill (da usare solo durante la funzione grill/convezione e da posizionare sul vassoio di vetro)

Installazione piatto girevole



- Non posizionare mai il vassoio di vetro capovolto. Il vassoio di vetro non dovrebbe essere mai ristretto.
- Sia il vassoio di vetro che il piatto girevole devono essere sempre utilizzati durante la cottura.
- Tutti gli alimenti e i contenitori di cibo vanno sempre collocati sul vassoio di vetro per la cottura.
- Se il vassoio di vetro o il perno del piatto girevole si crepa o si rompe, contattare il centro di assistenza autorizzato più vicino.

Installazione piano del lavoro

Rimuovere tutto il materiale di imballaggio e gli accessori.

Esaminare se il forno presenta dei danni, come ammaccature o porta rotta. Non installare il forno se danneggiato.

Vano: Rimuovere la pellicola protettiva presente sulla superficie del vano del forno a microonde.

Non rimuovere la copertura marrone chiaro Mica che è attaccata alla cavità del forno per proteggere il magnetrone.

Installazione e connessione

1. Questo apparecchio è destinato solo all'uso domestico.
2. Questo forno è destinato esclusivamente all'uso incorporato. Non è inteso per l'uso da banco o per l'uso all'interno di una credenza.
3. Si prega di rispettare le istruzioni speciali di installazione.
4. L'apparecchio può essere installato in un vano d'incasso con parete larga 60 centimetri (ad almeno 55 centimetri di profondità e 85 centimetri dal pavimento).
5. L'apparecchio è dotato di una spina e deve essere connesso ad una presa correttamente collegata a terra.
6. La tensione di rete deve corrispondere alla tensione indicata sulla targhetta.
7. La presa deve essere installata e il cavo di collegamento deve essere sostituito solo da un elettricista qualificato. Se la spina non è più accessibile, le installazioni successive e l'isolamento dei poli devono essere presente sul lato dell'impianto con un margine di contatto di almeno 3 mm.
8. Adattatori, prese multiple e prolunghe non devono essere utilizzati. Il sovraccarico può comportare un rischio di incendio.

La superficie accessibile potrebbe essere calda durante il funzionamento.



Istruzioni d'installazione

Si prega di leggere attentamente il manuale prima dell'installazione

Si prega di notare

Collegamento elettrico

Il forno è dotato di una spina e deve essere collegato solo ad una presa correttamente installata e messa a terra. La presa deve essere installata e il cavo connettore deve essere sostituito solo da un elettricista qualificato in conformità alle normative vigenti.

Se la spina non è più accessibile, le installazioni successive e l'isolamento dei poli devono essere presente sul lato di installazione con un margine di contatto di almeno 3 mm.

Il vano d'incasso non deve essere chiuso posteriormente.

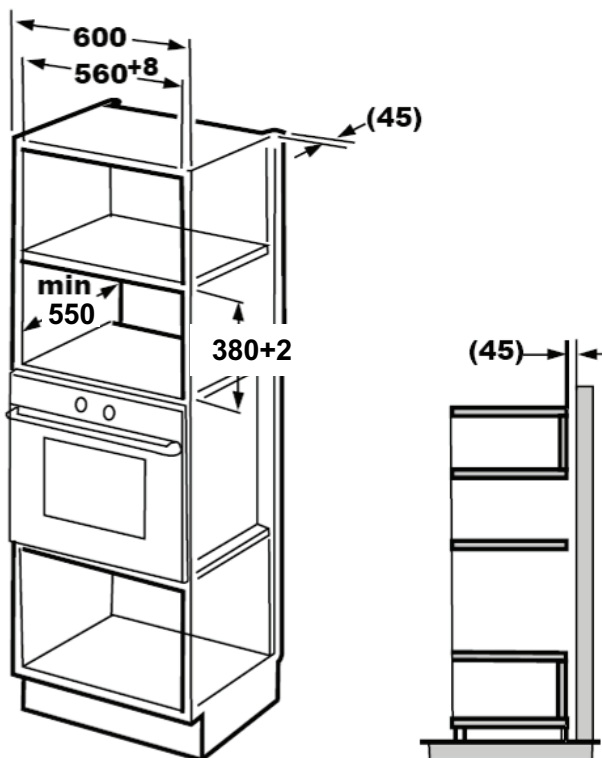
Altezza minima di installazione: 85 cm.

Non coprire le feritoie di ventilazione e di aspirazione.

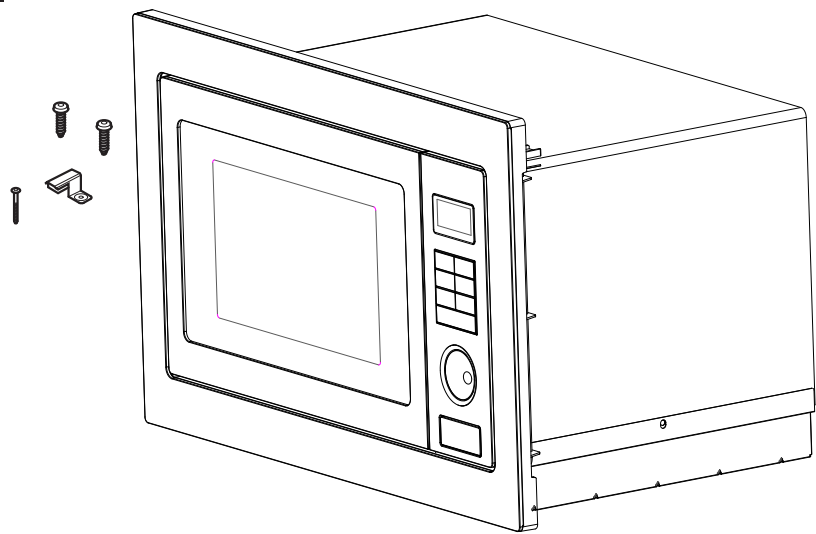
Nota:

Non incastrare o piegare il cavo di alimentazione.

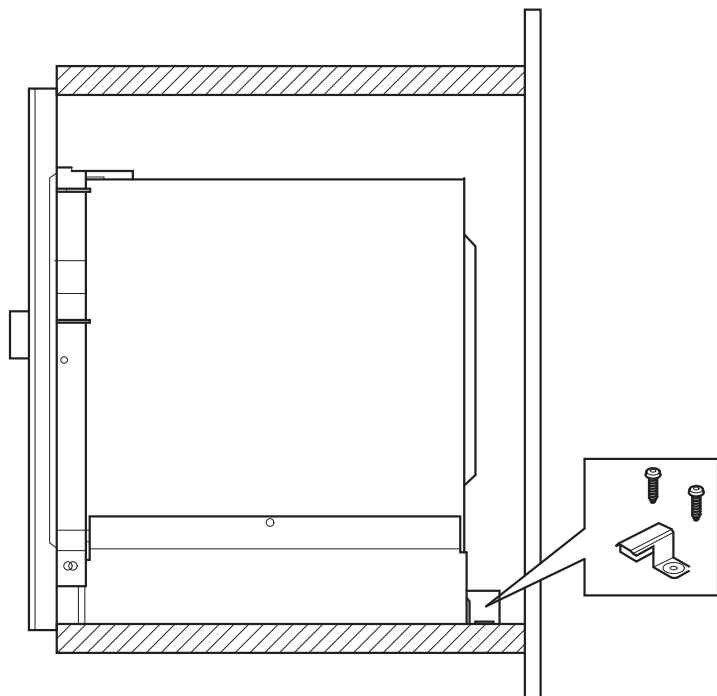
A. Attrezzatura incorporata



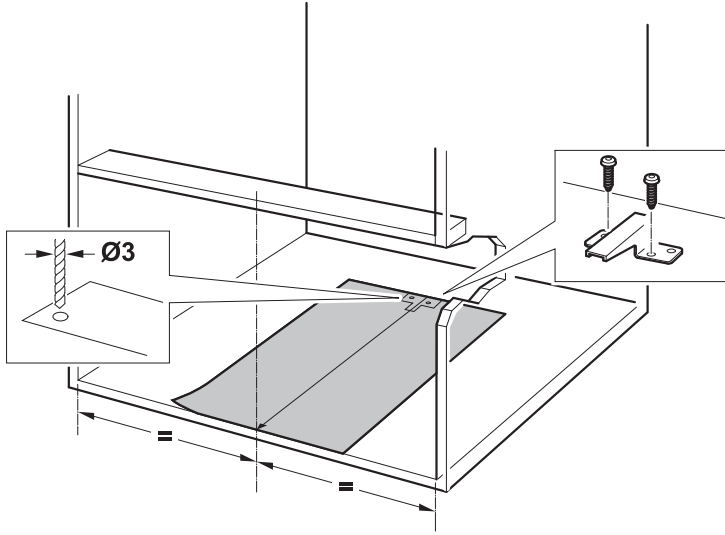
2.



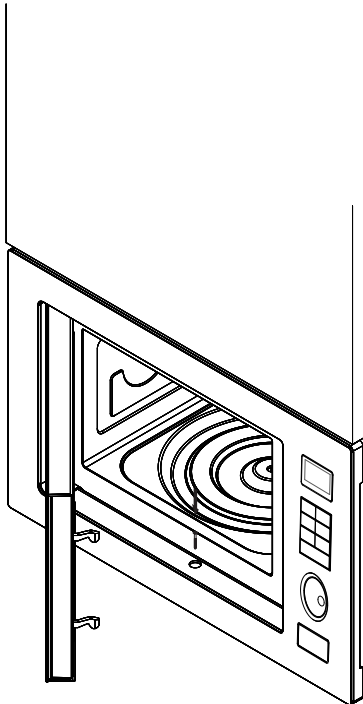
3.



4.



5.




ISTRUZIONE DI UTILIZZO

Questo forno a microonde utilizza un controllo elettronico moderno per soddisfare meglio le vostre esigenze di cottura.


1. Impostazione orologio

Quando il forno è acceso, il forno indicherà "0:00" e il segnale acustico suonerà una volta.

1) Premere "**TIMER DA CUCINA/OROLOGIO**" due volte. Apparirà "00:00" .

2) Girare "  " per impostare le cifre dell'ora, il tempo da inserire dovrebbe essere tra 0--23(24-ore).

3) Premere "**TIMER DA CUCINA/OROLOGIO**", le cifre dei minuti si illumineranno.

4) Girare "  " per impostare le cifre dei minuti, il tempo da inserire dovrebbe essere tra 0--59.


5) Premere "**TIMER DA CUCINA/OROLOGIO**" per finire l'impostazione dell'orologio. ":" si illuminerà

Nota: 1) Se l'orologio non è impostato, non funzionerà quando il forno è acceso.

2) Durante la procedura d'impostazione dell'orologio, se si preme "**STOP/ANNULLA**", il forno ritornerà automaticamente allo stato precedente.

2. Timer da cucina

(1) Premere "**TIMER DA CUCINA /OROLOGIO**" una sola volta, il LED indicherà 00:00.

(2) Girare "  " per inserire l'ora esatta (Il tempo massimo di cottura è di 95 minuti.)


(3) Premere "**INIZIO/+30SEC./CONFERMA**" per confermare l'impostazione.

(4) Quando viene raggiunto il tempo di cottura, il segnale acustico suonerà 5 volte. Se l'orologio è stato impostato su un sistema a 24 ore, il LED indicherà l'ora corrente.

Nota: Il Timer da cucina è diverso dal sistema di 24 ore, il Timer da cucina: è un timer.

3. Cottura a microonde

Premere "**Microonde**" e il LED indicherà "P100". Premere "**Microonde**" più volte per scegliere la potenza desiderata e "P100", "P80", "P50", "P30" o "P10" appariranno sullo schermo per ogni pressione effettuata. Poi premere


"**INIZIO/+30SEC./CONFERMA**" per confermare e girare "  " per impostare il tempo di cottura da 0:05 a 95:00. Premere "**INIZIO/+30SEC./CONFERMA**" nuovamente per iniziare la cottura.

Esempio: Se si desidera cuocere ad una potenza del microonde all'80% per 20 minuti, è possibile utilizzare il forno come di seguito

- 1) Premere "**Microonde**" una sola volta, lo schermo indica "P100".

- 2) Premere "**Microonde**" ancora una volta per scegliere 80% della potenza a microonde.

- 3) Premere "**INIZIO/+30SEC./CONFERMA**" per confermare e sullo schermo appare "P 80".

- 4) Girare "  " per regolare il tempo di cottura fino a che il forno non indica "20:00".

- 5) Premere "**INIZIO/+30SEC./CONFERMA**" per iniziare la cottura.



Nota: il numero di fasi per regolare il tempo dell'interruttore di codifica sono le seguenti:

- 0---1 min : 5 secondi
- 1---5 min : 10 secondi
- 5---10 min : 30 secondi
- 10---30 min : 1 minuto
- 30---95 min : 5 minuti

Tabella di potenza microonde

Premere	1 volta	2 volte	3 volte	4 volte	5 volte
Potenza microonde	100%	80%	50%	30%	10%


4. Cottura Grill o Combinata

Premere "**Grill/Combi.**" il LED indicherà "G-1" e premere "**Grill/Combi.**" per più volte o girare "  " per scegliere la potenza desiderata e "G-1", "C-1", "C-2", "C-3" o "C-4" apparirà sullo schermo per ogni pressione effettuata. Poi premere "**INIZIO/+30SEC./CONFERMA**" per confermare e girare "  " per impostare il tempo di cottura da 0:05 a 95:00. Premere "**INIZIO/+30SEC./CONFERMA**" ancora per iniziare la cottura.

Esempio: Se si desidera usare la potenza grill per una cottura di dieci minuti, si può utilizzare il forno come di seguito:

- 1) Premere "**Grill/Combi.**" una sola volta, lo schermo indica "G-1".

- 2) Premere "**INIZIO/+30SEC./CONFERMA**" per confermare.

- 3) Girare "  " per regolare il tempo di cottura fino a che lo schermo indicherà "10:00".

- 4) Premere "**INIZIO/+30SEC./CONFERMA**" per iniziare la cottura.


Nota: Se a metà del tempo di cottura grill impostato il forno suona due volte, questo rientra nella normalità. Al fine di avere una migliore riuscita della cottura grill, si dovrebbe girare il cibo, chiudere la porta e premere "**INIZIO/+30SEC./CONFERMA**" per continuare la cottura. Se non viene effettuata nessuna operazione, il forno continuerà la cottura.

Nota: Istruzione di combinazione

Istruzioni	Indicatore	Microonde	Grill	Convezione
1	C-1	●		●
2	C-2	●	●	
3	C-3		●	●
4	C-4	●	●	●

5. Cottura a convezione (con funzione di preriscaldamento)


La cottura a convezione può permettere di cuocere il cibo come in un forno tradizionale. Il microonde non viene utilizzato. Si raccomanda di preriscaldare il forno alla temperatura appropriata prima di mettere il cibo nel forno.

- 1) Premere il pulsante "**CONVEZIONE**" una sola volta, "130" si illumina.
- 2) Tenere premuto "**CONVEZIONE**" o girare "  " per selezionare la funzione convezione
Nota: la temperatura può essere scelta da 130 gradi a 220 gradi.

3) Premere "**INIZIO/+30SEC./CONFERMA**" per confermare la temperatura.

4) Premere "**INIZIO/+30SEC./CONFERMA**" per iniziare a preriscaldare. Quando si raggiunge la temperatura di preriscaldamento, il segnale acustico suonerà due volte per ricordare di mettere il cibo nel forno. La temperatura preriscaldata viene visualizzata e si illumina.


5) Mettere il cibo in forno e chiudere la porta.

Girare "  " per regolare il tempo di cottura. (Il tempo massimo di cottura è di 95 minuti)


6) Premere il pulsante "**INIZIO/+30SEC./CONFERMA**" per iniziare la cottura.

- Nota: a. Il tempo di cottura non può essere inserito finché non si raggiunge la temperatura di preriscaldamento. Se si raggiunge la temperatura, la porta deve essere aperta per inserire il tempo di cottura.
- b. Se il tempo non viene inserito entro 5 minuti, il forno smetterà di preriscaldarsi. Il segnale acustico suonerà cinque volte e tornerà allo stato di attesa.

6. Cottura a convezione (senza funzione di preriscaldamento)

- 1) Premere il pulsante "**CONVEZIONE**" una sola volta, "130" s'illumina.
- 2) Tenere premuto "**CONVEZIONE**" o girare "  " per selezionare la funzione convezione.

Nota: la temperatura può essere impostata da 130 gradi a 220 gradi.



-
- 3) Premere il pulsante "**INIZIO/+30SEC./CONFERMA**" per confermare la temperatura.
-
- 4) Girare "  " per regolare il tempo di cottura. (L'impostazione di tempo è massimo 95 minuti)
-
- 5) Premere il pulsante "**INIZIO/+30SEC./CONFERMA**" per iniziare la cottura.

7. Cottura a più stadi

Possono essere impostate massimo due stadi di cottura. Se uno stadio è lo scongelamento, allora questo dovrebbe essere impostato come primo. Il segnale acustico suonerà una volta dopo ogni fase e avrà inizio la fase successiva.

Nota: Menu automatico e preriscaldamento non possono essere impostati come una delle funzioni multifase.

Esempio: se si vuole scongelare il cibo per 5 minuti, poi cucinare con la potenza microonde all'80% per 7 minuti, la procedura è la seguente:

- 1) Premere "**PESO/TEMPO DI SCONGELAMENTO**" due volte, il display visualizzerà "d-2";
- 2) Girare "  " per regolare il tempo di scongelamento di 5 minuti;
- 3) Premere "**MICROONDE**" una sola volta;
- 4) Premere "**MICROONDE**" nuovamente per scegliere una potenza microonde dell'80% fino alla visualizzazione di "P80".
- 5) Premere "**INIZIO/+30SEC./CONFERMA**" per confermare;
- 6) Girare "  " per regolare il tempo di cottura a 7 minuti;
- 7) Premere "**INIZIO/+30SEC./CONFERMA**" per iniziare la cottura.

8. Cottura veloce



- 1) In stato di attesa, premere il tasto "**INIZIO/+30SEC./CONFERMA**" per cucinare con livello di potenza al 100% per 30 secondi. Ogni pressione sullo stesso tasto può aumentare il tempo di cottura di 30 secondi. Il tempo di cottura massimo è di 95 minuti.
- 2) Durante le funzioni microonde, grill, convezione e combinazione premere "**INIZIO/+30SEC./CONFERMA**" per cucinare con livello di potenza al 100% per 30 secondi. Ogni pressione sullo stesso tasto può aumentare di 30 secondi.

Nota: questa funzione non può funzionare con lo scongelamento e cottura menu automatico.

Tabella Menu Automatico

Menu	Peso	Display	Potenza
A1 Riscaldamento automatico	150 g	150	100%
	250 g	250	
	350 g	350	
	450 g	450	
	600 g	600	
A2 Patate	1 (circa 230g)	1	100%
	2 (circa 460g)	2	
	3 (circa 690g)	3	
A3 Carne	150 g	150	100%
	300 g	300	
	450 g	450	
	600 g	600	
A4 Vegetali	150 g	150	100%
	350 g	350	
	500 g	500	
A5 Pesce	150 g	150	80%
	250 g	250	
	350 g	350	
	450 g	450	
	650 g	650	
A6 Pasta	50 (con acqua 450ml)	50	80%
	100 (con acqua 800ml)	100	
	150 (con acqua 1200ml)	150	
A7 minestra	200 ml	200	100%
	400 ml	400	
	600 ml	600	
A8 Torta	475 g	475	Preriscaldare a 180 gradi
A9 PIZZA	200 g	200	C-4
	300 g	300	
	400 g	400	
A10 Pollo	500 g	500	C-4
	750 g	750	
	1000 g	1000	
	1200 g	1200	

9. Menu Automatico

- 1) In stato di attesa, girare "  " a destra per scegliere la funzione desiderata e "A1", "A2", "A3"... "A10" saranno visualizzate.
- 2) Premere **"INIZIO/ +30 SEC. /CONFERMA"** per confermare il menu che occorre.
- 3) Girare "  " per scegliere il peso del menu e l'indicatore "g" s'illuminerà.
- 4) Premere **"INIZIO/ +30 SEC./CONFERMA"** per iniziare la cottura.


Nota: Quando si sceglie A8torta, si prega di non mettere la torta in forno all'inizio.

Il forno deve essere prima preriscaldato a 180 gradi. Dopo alcuni minuti, il segnale acustico suona due volte per ricordare di mettere la torta in forno.

Dopo aver messo la torta in forno, si prega di premere ancora "inizio". Il timer inizierà il conto alla rovescia e la torta sarà cotta perfettamente.

10. Scongelamento in base al peso


- 1) Premere **"PESO/TEMPO DI SCONGELAMENTO"** una sola volta, sullo schermo apparirà "d-1".

- 2) Girare "  " per selezionare il peso del cibo. Contemporaneamente "g" s'illuminerà, il peso dovrebbe essere 100-2000g.

- 3) Premere il tasto **"INIZIO/+30SEC./CONFERMA"** per iniziare lo scongelamento.

11. Scongelamento in base al tempo

- 1) Premere il tasto **"PESO/TEMPO DI SCONGELAMENTO"** due volte, sullo schermo apparirà "d-2".

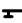
- 2) Girare "  " per selezionare il tempo di cottura. L'impostazione massima di tempo è di 95 minuti.

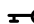
- 3) Premere il tasto **"INIZIO/+30SEC./CONFERMA"** per iniziare lo scongelamento.

12. Funzione informativa

- (1) Durante la cottura, premere **"TIMER DA CUCINA/OROLOGIO"** per controllare l'ora corrente. Essa sarà visualizzata per 2-3 secondi.
- (2) Durante la cottura, premere **"MICROONDE", "GRILL/ COMBI." o "CONVEZIONE"**, la potenza corrente sarà visualizzata per 2-3 secondi.

13. Blocco di sicurezza per bambini

Blocco: In stato di attesa, premere "**STOP/ANNULLA**" per 3 secondi, ci sarà un lungo "beep" ad indicare che si sta accedendo alla funzione di blocco per bambini e la spia "  " s'illumina. Il LED visualizzerà l'ora corrente o 0:00.

Sblocco: In stato di attesa, premere "**STOP/ANNULLA**" per 3 secondi, ci sarà un lungo "beep" ad indicare che il blocco è stato disattivato e la spia "  " scomparirà.

14. Specificazione

- (1) Il segnale acustico suonerà una volta quando si gira la manopola all'inizio.
- (2) "**INIZIO/+30 SEC./CONFERMA**" deve essere premuto per continuare la cottura se la porta è aperta durante la cottura
- (3) Una volta che il programma di cottura è stato impostato "**INIZIO/+30 SEC./CONFERMA**" non viene premuto per 5 minuti. Verrà visualizzata l'ora corrente. L'impostazione viene annullata.
- (4) Il segnale acustico suona una volta con una pressione efficace. Una pressione inefficace non darà alcuna risposta.
- (5) Il segnale acustico suonerà cinque volte per ricordare quando la cottura è terminata.

Risoluzione dei problemi

Normale	
Ricezioni TV che interferiscono con il Forno a Microonde	Ricezione radio e TV possono essere disturbati durante l'utilizzo del forno a microonde. È simile alla interferenza di piccoli elettrodomestici, come mixer, aspirapolvere, e elettroventilatore. Questo è normale.
Diminuzione luce forno	Con la cottura con bassa Potenza, la luce del forno può ridursi. Questo è normale.
Favore accumulato sulla porta, aria calda fuoriesce dalle bocchette	Durante la cottura, il vapore può fuoriuscire dal cibo. La maggior parte verrà eliminato dalle bocchette. Ma una parte potrebbe accumularsi in alcuni posti come la porta. Questo è normale.
Forno acceso casualmente senza cibo dentro	E' vietato utilizzare l'unità senza cibo all'interno. Questo è pericoloso.

Problema	Possibile causa	Soluzione
Il forno non si accende	(1) Cavo di alimentazione non collegato saldamente.	Scollegare. Poi collegare di nuovo dopo 10 secondi.
	(2) Fusione del fusibile o l'interruttore non funziona.	Sostituire il fusibile o ripristinare interruttore automatico (riparato da personale professionale della nostra azienda)
	(3) Problemi con la presa.	Verificare la presa con altri apparecchi elettrici.
Il forno non riscalda	(4) Porta non chiusa bene.	Chiudere bene la porta.
Il piatto girevole di vetro fa rumore quando il forno è in azione	(5) Presenza di sporco nelle rotelline o nel fondo del forno.	Fare rif. a "Manutenzione del Microonde" per pulire le parti sporche.



Secondo la direttiva sui Rifiuti di Apparecchiature Elettriche ed Elettroniche (RAEE), devono essere raccolti e trattati separatamente. Se in qualsiasi momento in futuro sarà necessario smaltire questo prodotto si prega di non smaltirlo insieme con i rifiuti domestici. Si prega di inviare questo prodotto ai punti di raccolta RAEE dove disponibile.

Horno microondas

MANUAL DE INSTRUCCIONES

MODELO: F45CMWD9X

Lea atentamente estas instrucciones antes de utilizar el horno de microondas y guárdelas cuidadosamente.

Si sigue las instrucciones, su horno le proporcionará un buen servicio durante muchos años.

GUARDE ESTAS INSTRUCCIONES

PRECAUCIONES PARA EVITAR LA POSIBLE EXPOSICIÓN EXCESIVA A ENERGÍA DE MICROONDAS

(a) No intente hacer funcionar este horno microondas con la puerta abierta ya que podría suponer una exposición perjudicial a la energía de microondas. Es importante no forzar los cierres de seguridad.

(b) No coloque ningún objeto entre la parte frontal del horno y la puerta, y evite que se acumule suciedad o restos de detergentes limpiadores en las superficies de sellado.

(c) ADVERTENCIA: Si la puerta o juntas de la puerta están dañadas, el horno no debe utilizarse hasta que haya sido reparado por una persona competente.

ADDENDUM

Si el aparato no se mantiene en un buen estado de limpieza, su superficie se podría degradar y afectar a la vida

Especificaciones

Modelo:	F45CMWD9X
Tensión nominal:	230V~50Hz
Potencia nominal de entrada (Microondas):	1450W
Potencia nominal de salida (Microondas):	900W
Potencia nominal de entrada (Parrilla):	1100W
Potencia nominal de entrada (Convección):	2500W
Capacidad del horno:	25 L
Diámetro del plato giratorio:	∅315 mm
Dimensiones externas:	595×470×388 mm
Peso neto:	Aprox. 21,5 kg

MEDIDAS DE SEGURIDAD ADVERTENCIAS

Para reducir el riesgo de quemaduras, electrocución, incendio, lesiones o exposición excesiva a la energía del horno microondas al usar el electrodoméstico, siga las precauciones básicas de seguridad, incluidas las siguientes:

1. Aviso: Los líquidos u otros alimentos no deben calentarse en recipientes cerrados ya que podrían explotar.
2. Aviso: Es peligroso para cualquier persona que no sea una persona competente llevar a cabo cualquier servicio o reparación que consista en la extracción de una cubierta que impida la exposición a la energía de microondas.
3. Este aparato puede ser utilizado por niños de 8 años o más y las personas con incapacidad física, sensorial o mental, o con falta de experiencia y conocimientos, si tienen la supervisión o instrucciones relativas al uso del aparato de una manera segura y comprenden los riesgos implicados. Los niños no deben jugar con el aparato. La limpieza y el mantenimiento no serán realizados por niños a menos que sean mayores de 8 y estén supervisados.
4. Mantenga el aparato y el cable fuera del alcance de los niños menores de 8 años.
5. Sólo use utensilios adecuados para su uso en hornos microondas.
6. El horno se debe limpiar con regularidad y los depósitos de alimentos deben ser eliminados.
7. Lea y siga las instrucciones específicas: "PRECAUCIONES PARA EVITAR UNA POSIBLE EXPOSICIÓN EXCESIVA A ENERGÍA DE MICROONDAS".
8. Cuando caliente alimentos en recipientes de plástico o de papel, vigile el horno debido a la posibilidad de ignición.

9. Si emite humo, apague o desenchufe el aparato y mantenga la puerta cerrada para sofocar las llamas.

10. No cocine los alimentos en exceso.

11. No utilice el horno para almacenar.

No almacene artículos, tales como pan, galletas, etc. en el interior del horno.

12. Retire las ataduras de alambre y las asas de metal de las bolsas/contenedores de papel o de plástico antes de colocarlos en el horno.

13. Instale o ubique este aparato sólo de acuerdo con las instrucciones de instalación.

14. Los huevos con cáscara y huevos duros enteros no deben ser calentados en hornos microondas ya que podrían explotar, incluso después de que el calentamiento por microondas haya terminado.

15. Este aparato está destinado a ser utilizado en hogares y aplicaciones similares, tales como:

- relacionadas con el personal de las áreas de cocina en tiendas, oficinas y otros ambientes de trabajo;

- por clientes en hoteles, moteles y otros entornos de tipo residencial;

- casas de campo;

- entornos de tipo alojamiento y desayuno.

16. Si el cable de alimentación está dañado, debe ser reemplazado por el fabricante, su servicio técnico o una persona cualificada para evitar peligro.

17. No guarde ni utilice el aparato en exteriores.

18. No utilice este horno cerca del agua, en un sótano húmedo o cerca de una piscina.

19. La temperatura de las superficies accesibles puede ser alta cuando el aparato está en funcionamiento. Las superficies son susceptibles de calentarse durante el uso. Mantenga el cable lejos de superficies calientes y no cubra los orificios de ventilación del horno.

20. No permita que el cable cuelgue del borde de la mesa o mostrador.
21. Si no mantiene el horno en condiciones limpias podría dar lugar a un deterioro de la superficie que podría afectar negativamente a la vida del aparato y provocar una situación peligrosa.
22. El contenido de los biberones y potitos se debe remover o agitar y revisar la temperatura antes de su consumo, para evitar quemaduras.
23. El calentamiento por microondas de bebidas puede resultar en retraso en ebullición eruptiva; por lo tanto se debe tener cuidado al manipular el recipiente.
24. Este aparato no está diseñado para ser utilizado por personas (incluidos niños) con capacidades físicas, sensoriales o mentales reducidas, o con falta de experiencia y conocimiento, a menos que sean supervisados o instruidos acerca del uso del aparato por una persona responsable de su seguridad.
25. Se debe vigilar a los niños para asegurarse de que no jueguen con el aparato.
26. Los aparatos no están diseñados para ser operados por medio de un temporizador externo o un sistema de control remoto separado.
27. Las partes accesibles pueden calentarse durante el uso. Los niños pequeños deben mantenerse alejados.
28. No se debe utilizar vapor para limpiar.
29. Durante el uso del aparato se calienta. Se debe tener cuidado de no tocar los elementos calefactores en el interior del horno.
30. Sólo utilice la sonda de temperatura recomendada para este horno. (Para los hornos provistos de una instalación utilice una sonda de detección de temperatura).

31. ADVERTENCIA: El aparato y sus partes accesibles se calientan durante el uso. Se debe tener cuidado de no tocar los elementos calefactores. Los niños menores de 8 años de edad deberán mantenerse lejos a menos que estén supervisados.
32. El horno microondas debe funcionar con la puerta decorativa abierta. (Para los hornos con puerta decorativa).
33. La superficie de un armario se puede calentar.

LEA Y GUARDE PARA FUTURAS CONSULTAS

Reducir el riesgo de lesiones a personas

Instrucciones Para Conexión A Tierra

PELIGRO

Peligro de descarga eléctrica
Tocar algunos de los componentes internos puede causar lesiones graves o la muerte.
No desmonte el aparato.

ADVERTENCIA

Peligro de descarga eléctrica
El uso inadecuado de la conexión a tierra puede provocar una descarga eléctrica. No enchufe el aparato a una toma hasta que esté correctamente instalado y conectado a tierra. Enchufe de tres clavijas (a tierra).

Este aparato debe estar conectado a tierra. En el caso de un cortocircuito eléctrico, la conexión a tierra reduce el riesgo de choque eléctrico al proporcionar un cable de escape para la corriente eléctrica.

Este aparato está equipado con un cable que tiene un cable a tierra con un enchufe a tierra. El enchufe debe conectarse en una toma de corriente correctamente instalada y conectada a tierra.

Consulte con un electricista o técnico cualificado si no entiende las instrucciones de conexión a tierra o si tiene alguna duda sobre si el aparato está correctamente conectado a tierra. Si es necesario el uso de un cable de extensión, utilice únicamente un cable de extensión de 3 conductores que tenga 3 clavijas.

1. Se incluye un cable de alimentación corto para reducir los riesgos de tropiezos o enredo con un cable más largo.
2. Si se utiliza un juego de cables largos o un alargador:
 - 1) La capacidad eléctrica nominal del cable o el cable alargador debe ser por lo menos tan grande como la capacidad eléctrica nominal del electrodoméstico.
 - 2) El cable alargador debe ser un cable de 3 clavijas con toma a tierra.
 - 3) El cable más largo debe acomodarse de modo que no cuelgue del mostrador o mesa donde pueda ser manipulado por niños o causar un tropiezo accidental.

LIMPIEZA

Asegúrese de desenchufar el aparato de la red eléctrica.

1. Limpie la cavidad del horno después de usar con un paño ligeramente húmedo.
2. Limpie los accesorios de la manera habitual con agua y jabón.
3. El marco de la puerta y el sello y partes vecinas deben limpiarse cuidadosamente con un paño húmedo cuando estén sucias.
4. No use limpiadores abrasivos ni rascadores metálicos afilados para limpiar el cristal de la puerta del horno, ya que pueden rayar la superficie, lo que puede provocar la rotura del vidrio.
5. Sugerencia de limpieza --- Para facilitar la limpieza de las paredes internas que la comida cocinada puede tocar: coloque la mitad de un limón en un bol, añada 300 ml (1/2 pinta) de agua y caliente al 100 % de potencia en el microondas durante 10 minutos. Limpie el horno con un paño suave y seco.

UTENSILIOS PRECAUCIÓN

Peligro de lesiones personales

Es peligroso para cualquier persona que no sea una persona competente llevar a cabo cualquier servicio o reparación que consista en la extracción de una cubierta que impida la exposición a la energía de microondas.

Consulte las instrucciones en "Materiales que puede utilizar en el horno microondas o evitar en horno de microondas". Puede haber ciertos utensilios no metálicos que no son seguros para usar en el microondas. En caso de duda, se puede probar el utensilio en cuestión siguiendo el siguiente procedimiento.

Prueba del utensilio:

1. Llene un recipiente apto para microondas con 1 taza de agua fría (250 ml), junto con el utensilio en cuestión.
2. Cocine a potencia máxima durante 1 minuto.
3. Use con cuidado el utensilio. Si el utensilio vacío está caliente, no lo utilice para cocinar con microondas.
4. **No exceda el tiempo de cocción de 1 minuto.**

Materiales que se pueden utilizar en el horno microondas

Utensilios	Observaciones
Papier aluminium	Uniquement protection. Des petites pièces lisses peuvent être utilisées pour couvrir les parties fines de la viande ou de la volaille pour empêcher la sur-cuisson. Un arc peut se produire si la papier est trop proche des parois du four. Le papier devrait être à au moins 1 pulgada (2,5cm) des parois du four.
Plat dorant	Suivez les instructions du fabricant. L'arrière du plat dorant doit être au moins de 3/16 pulgada (5cm) sur la table tournante. Un usage incorrect peut entraîner la cassure de la table tournante.
Vaisselle	Seulement sécurité du four à micro-ondes. Suivez les instructions du fabricant. N'utilisez pas de vaisselle cassée ou ébréchée.
Bocaux de verre	Enlevez toujours le couvercle. Utilisez seulement pour chauffer de la nourriture jusqu'à qu'elle soit chaude. La plupart des bocaux de verre ne sont pas résistants à la chaleur et peuvent se casser.
Verrerie	Seulement de la verrerie de four résistant à la chaleur. Soyez sûr qu'il n'y a pas de coupe métallique. N'utilisez pas de vaisselle cassée ou ébréchée.
Sacs de cuisson du four	Suivez les instructions du fabricant. Ne les fermez pas avec une cravate en métal. Faites des fentes pour permettre à la vapeur de s'échapper.
Plats en papier et coupes	Utilisez seulement pour une cuisson courte/chaude. Ne laissez pas le four sans surveillance pendant la cuisson.
Serviettes en papier	Utilisez pour couvrir la nourriture pour réchauffer et absorber le gras. Utilisez seulement avec supervision pour une cuisson courte.
Papier de parchemin	Utilisez comme une couverture pour empêcher l'éclaboussement ou un châte pour fumer.
Plastique	Uniquement sécurité du four à micro-ondes. Suivez les instructions du fabricant. Devrait être labélisé "Four à micro-ondes sur". Certains conteneurs plastiques adoucissent, comme la nourriture à l'intérieur chauffe. "Les sacs de bouillonnement" et les sacs fermés étroitement devraient être en fente, percés ou déchargés comme il est dit par le paquet.
Film alimentaire	Uniquement sécurité du four à micro-ondes. Utilisez pour couvrir la nourriture pendant la cuisson pour retenir l'humidité. N'autorisez pas à du film alimentaire de toucher la nourriture.
Thermomètre	Uniquement sécurité du four à micro-ondes (viande et thermomètres de confiserie)
Papier sulfurisé	Utilisez comme une couverture pour empêcher l'éclaboussement ou retenir l'humidité.

Matériaux à être évités dans le four à micro-ondes

Ustensiles	Remarques
Plateau d'aluminium	Peut causer des arcs. Transférez la nourriture dans une vaisselle sûr de four à micro-ondes.
Carton de nourriture avec poignée en métal	Peut causer des arcs. Transférez la nourriture dans une vaisselle sûr de four à micro-ondes.
Métal ou ustensiles	Plaques de métal la nourriture de l'énergie du four à micro-ondes. La coupe du métal peut entraîner un arc.
Cravates de zigzag en métal	Peut entraîner un feu dans le four.
Sacs en papier	Possono causare esplosioni nel forno.
Mousse en plastique	La mousse en plastique peut faire fondre le liquide à l'intérieur quand il est exposé à une température élevée.
Bois	Le bois s'assèchera quand il est utilisé dans le four à micro-ondes et peut éclabousser ou se casser.

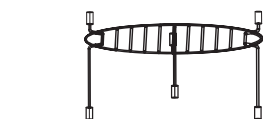
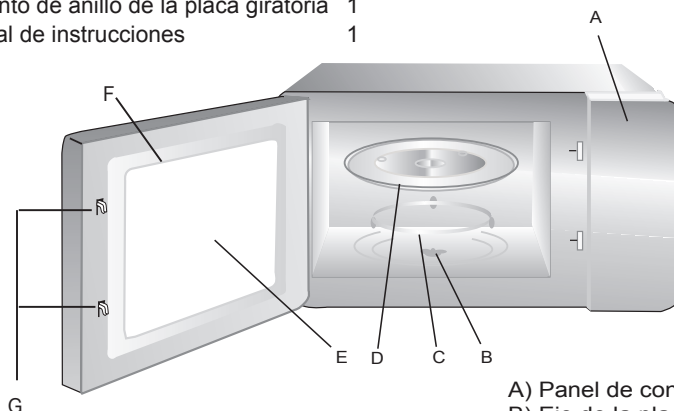
CONFIGURACIÓN DE SU HORNO

Nombres de las piezas del horno y accesorios

Retire el horno y todos los materiales de la caja de cartón y la cavidad del horno.

Su horno viene con los siguientes accesorios:

Bandeja de cristal	1
Conjunto de anillo de la placa giratoria	1
Manual de instrucciones	1



Rejilla de la parrilla (sólo se utiliza en la función parrilla/ convección y se coloca en la bandeja de cristal)

- A) Panel de control
- B) Eje de la placa giratoria
- C) Conjunto de anillo de la placa giratoria
- D) Bandeja de cristal
- E) Ventana de observación
- F) Montaje de la puerta
- G) Sistema de bloqueo de seguridad

Instalación de la placa giratoria



- Nunca coloque la bandeja de cristal al revés. La bandeja de cristal no se debe restringir.
- Tanto la bandeja de cristal como el montaje del aro giratorio se deben utilizar siempre durante la cocción.
- Todos los alimentos y envases de los alimentos siempre se colocan en la bandeja de cristal para cocinar.
- Si la bandeja de cristal o el montaje del aro giratorio se rompe, póngase en contacto con su centro de servicio autorizado más cercano.

Instalación de encimera

Retire todo el material de embalaje y los accesorios.

Examine que el horno no tenga ningún daño, tal como abolladuras o la puerta rota. No instale el horno si está dañado.

Cabina: Retire la película protectora que se encuentra en la superficie del mueble del horno microondas.

No retire la cubierta Mica marrón que se une a la cavidad del horno para proteger el magnetrón.

Montaje y conexión

1. Este aparato está diseñado únicamente para uso doméstico.
2. Este horno está diseñado para uso en interiores. No es para usar como encimera o dentro de un armario.
3. Tenga en cuenta las instrucciones especiales de instalación.
4. El aparato se puede instalar en un armario amplio de 60 cm de ancho de pared (al menos 55 cm de profundidad y 85 cm del suelo).
5. El aparato está equipado con un enchufe y sólo se debe conectar a una toma de tierra instalada correctamente.
6. La tensión de red debe coincidir con la tensión indicada en la placa de características.
7. La toma de corriente debe estar instalada y el cable de conexión sólo debe ser reemplazado por un electricista cualificado. Si el enchufe no es accesible después de la instalación, debe haber un dispositivo de desconexión en el lado de la instalación con una separación de contacto de al menos 3 mm.
8. No se deben utilizar adaptadores, tiras de múltiples vías ni cables de extensión. La sobrecarga puede provocar riesgo de incendio.

La superficie accesible puede estar caliente durante la operación.



Instrucciones de instalación

Por favor, lea el manual cuidadosamente antes de la instalación

Por favor, tenga en cuenta

Conexión eléctrica

El horno está equipado con un enchufe y sólo se debe conectar a una toma de tierra instalada correctamente. Se debe instalar la toma y el cable de conexión sólo debe ser reemplazado por un electricista cualificado y de acuerdo con la normativa correspondiente.

Si el enchufe no es accesible después de la instalación, debe haber un interruptor de aislamiento en el lado de la instalación con una separación de contacto de al menos 3 mm.

El armario empotrado no debe tener una pared detrás del aparato.

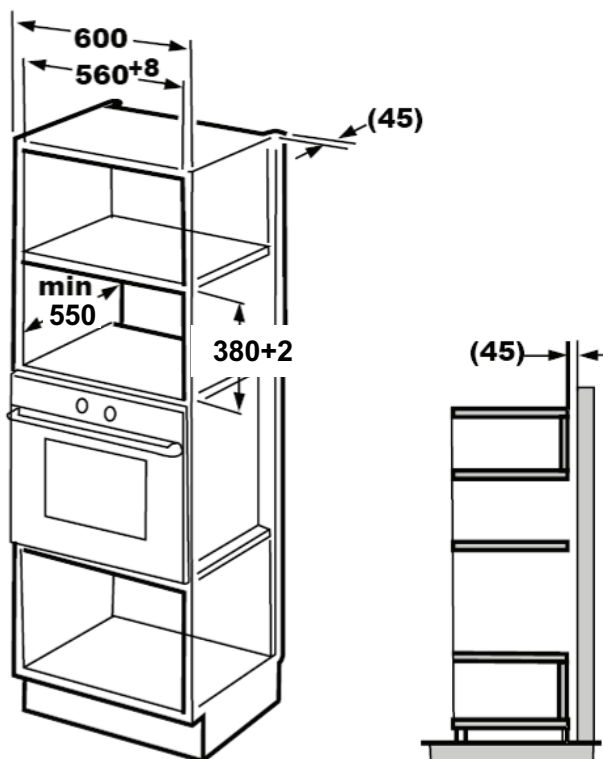
Altura mínima de instalación: 85 cm.

No cubra las ranuras de ventilación y orificios de succión.

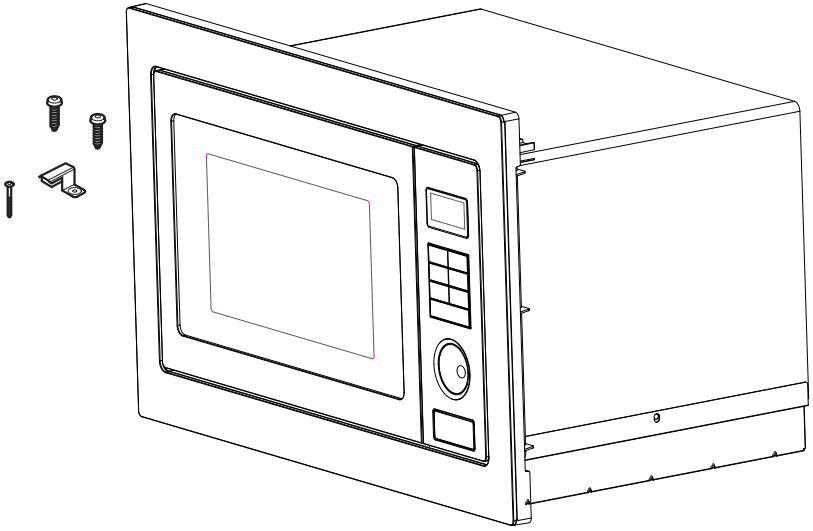
Nota:

No atrape o doble el cable de alimentación

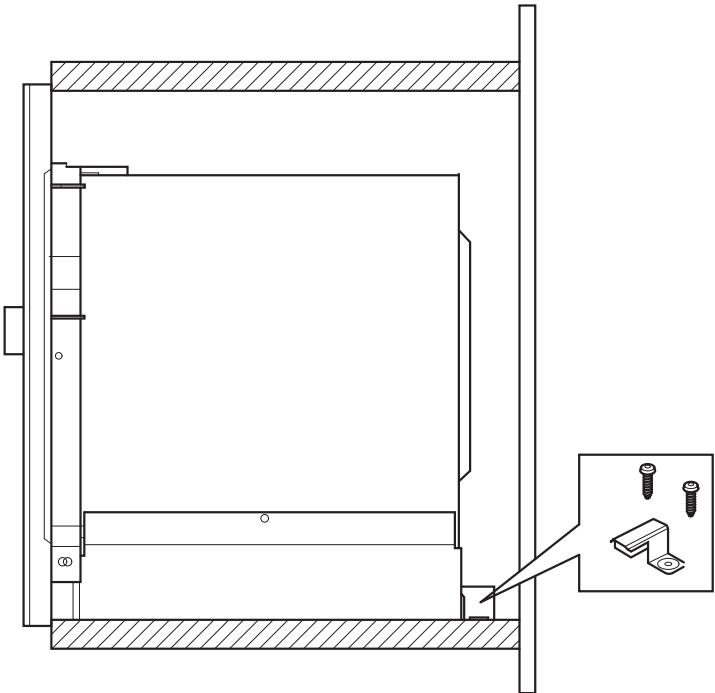
A. Incorporar mueble



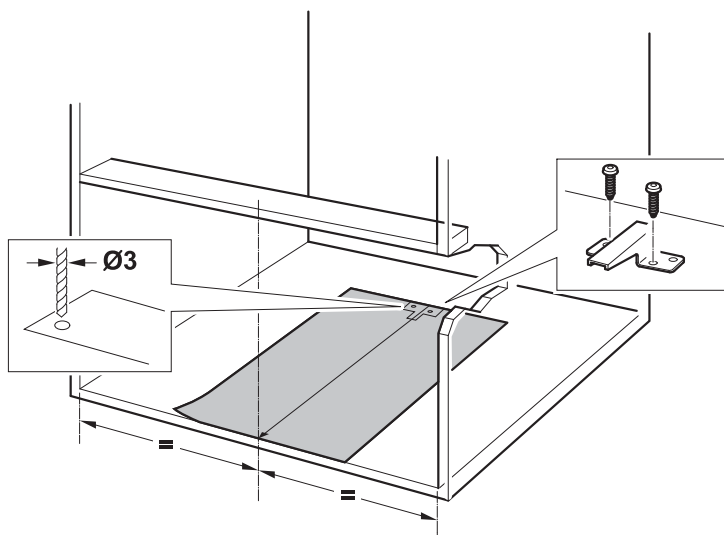
2.



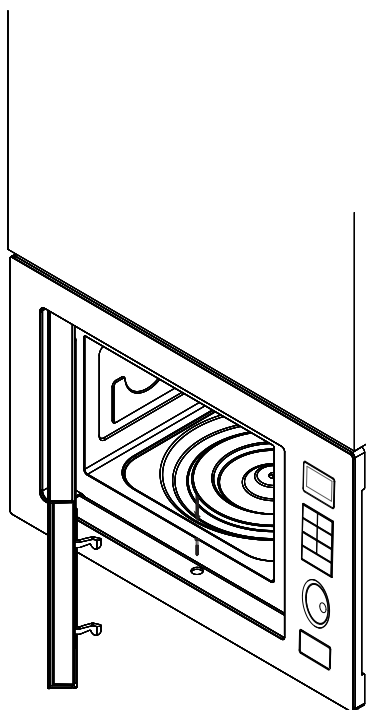
3.



4.



5.




INSTRUCCIONES DE FUNCIONAMIENTO

Este horno microondas utiliza un control electrónico moderno para satisfacer mejor sus necesidades de cocción.

1. Configuración del reloj

Cuando el horno está encendido, el horno mostrará "0:00" y la alarma sonará una vez.

1) Presione "**TEMPORIZADOR DE COCINA/RELOJ**" dos veces. Aparezca "00:00".

2) Gire "  " para ajustar las cifras de horas; la hora de entrada debe estar entre 0 y 23 (de 24 horas).

3) Presione "**TEMPORIZADOR DE COCINA/RELOJ**"; las cifras de los minutos parpadearán.

4) Gire "  " para ajustar las cifras de minutos; el tiempo de entrada debe estar entre 0 y 59.


5) Presione "**TEMPORIZADOR DE COCINA/RELOJ**" para finalizar el ajuste del reloj. ":" parpadearán.

Nota: 1) Si el reloj no está ajustado, no podría funcionar cuando se encienda.

2) Durante el proceso de ajuste del reloj, si presiona "**DETENER/BORRAR**", el hornovolverá al estado anterior de forma automática.

2. Temporizador de cocina

(1) Presione "**TEMPORIZADOR DE COCINA/RELOJ**" una vez. El LED mostrará 00:00.

(2) Gire "  " para introducir el tiempo. (El tiempo máximo de cocción es de 95 minutos).


(3) Pulse el botón "**INICIO/+30SEG./CONFIRMAR**" para confirmar el ajuste.

(4) Cuando se alcanza el tiempo, la alarma sonará 5 veces.

Si el reloj se ha establecido en el sistema de 24 horas, el LED mostrará la hora actual.

Nota: El tiempo de la cocina es diferente del sistema de 24 horas. El temporizador de cocina es un temporizador.

3. Cocina de microondas


Pulse "**Microondas**" y el LED mostrará "P100". Presione "**Microondas**" para elegir los tiempos y "P100", "P80", "P50", "P30" y "P10" se mostrarán cada vez que presione. A continuación, pulse "**INICIO/+30SEG./CONFIRMAR**" para confirmar y, a su vez "  " para fijar el tiempo de cocción de 0:05 a 95:00. Pulse el botón "**INICIO/+30SEG./CONFIRMAR**" de nuevo para empezar a cocinar.

Ejemplo: Si desea utilizar el 80% de potencia de microondas para cocinar durante 20 minutos, puede utilizar el horno de la siguiente forma:

- 1) Pulse el botón "**Microondas**" una vez; la pantalla mostrará "P100".

 - 2) Pulse el botón "**Microondas**" una vez más para elegir el 80% de potencia de microondas.

 - 3) Pulse el botón "**INICIO/+30SEG./CONFIRMAR**" para confirmar y la pantalla mostrará el mensaje "P 80".

 - 4) Gire "  " para ajustar el tiempo de cocción hasta que el horno muestre "20:00".

 - 5) Pulse el botón "**INICIO/+30SEG./CONFIRMAR**" para empezar a cocinar.
- Nota:** las cantidades para el tiempo de ajuste del interruptor de codificación son como siguen:

0---1 min : 5 segundos

1---5 min : 10 segundos

5---10 min : 30 segundos



10---30 min : 1 minuto

30---95 min : 5 minutos

Tabla de potencia del microondas

Pulsar	Una vez	Dos veces	Tres veces	4 veces	5 veces
Potencia del microonda	100%	80%	50%	30%	10%


4. Grill o Combi. Cocinar

Pulse "**Parrilla/Combi.**" y el LED mostrará "G- 1"; pulse "**Parrilla/Combi.**" o gire "  " para elegir la potencia que quiera, y "G-1", "C-1", "C-2", "C-3" o "C-4" se mostrará cada vez que presione. A continuación, pulse "**INICIO/+30SEG./CONFIRMAR**" para confirmar y, a su vez "  " para fijar el tiempo de cocción de 0:05 a 95:00. Pulse el botón "**INICIO/+30SEG./CONFIRMAR**" de nuevo para empezar a cocinar.

Ejemplo: Si desea utilizar la parrilla para cocinar durante 10 minutos, puede utilizar el horno de la siguiente forma:

- 1) Pulse el botón "**Parrilla/Combi.**" una vez y la pantalla mostrará "G-1".

- 2) Pulse el botón "**INICIO/+30SEG./CONFIRMAR**" para confirmar.

- 3) Gire "  " para ajustar el tiempo de cocción hasta que el horno muestre "10:00".

- 4) Pulse el botón "**INICIO/+30SEG./CONFIRMAR**" para empezar a cocinar.

Nota: Cuando pasa la mitad del tiempo, el horno suena dos veces. Para que pueda asar mejor los alimentos, debe dar vuelta al alimento, cerrar la puerta y presionar "**INICIO/+30SEG./CONFIRMAR**" para continuar la cocción. Si no realiza ninguna operación, el horno continuará funcionando.


Nota: Instrucciones de combinaciones

Instrucciones	Mostrar	Microondas	Parrilla	Convección
1	C-1	●		●
2	C-2	●	●	
3	C-3		●	●
4	C-4	●	●	●

5. Cocción por convección (con la función de precalentamiento)

La cocción por convección puede cocinar la comida como un horno tradicional. No se utiliza el microondas. Se recomienda que precaliente el horno a la temperatura adecuada antes de colocar el alimento.

1) Pulse la tecla "**CONVECCIÓN**" una vez y "130" parpadeará.


2) Mantenga pulsado "**CONVECCIÓN**" o gire "  " para seleccionar la función de convección.

Nota: se puede elegir la temperatura puede desde 130 grados hasta 220 grados.

3) Pulse el botón "**INICIO/+30SEG./CONFIRMAR**" para confirmar la temperatura.

4) Presione el botón "**INICIO/+30SEG./CONFIRMAR**" para iniciar el precalentamiento. Cuando llega la temperatura de precalentamiento, la alarma sonará dos veces para recordarle que debe poner la comida en el horno. Y la temperatura de precalentado se visualiza y parpadea.

5) Coloque la comida en el horno y cierre la puerta.

Gire "  " para ajustar el tiempo de cocción. (El tiempo de ajuste máximo es de 95 minutos.)


6) Presione el botón "**INICIO/+30SEG./CONFIRMAR**" para iniciar la cocción.

Nota: a. El tiempo de cocción no se puede introducir hasta que llegue a la temperatura de precalentamiento.

Si la temperatura llega, la puerta debe ser abierta para introducir el tiempo de cocción.

b. Si el tiempo no se introduce en 5 minutos, el horno detendrá el precalentamiento. La alarma sonará cinco veces y dará marcha atrás a los estados de espera.

6. Cocción por convección (sin función de precalentamiento)

- 1) Pulse la tecla "**CONVECCIÓN**" una vez y "130" parpadeará.
- 2) Mantenga pulsado "**CONVECCIÓN**" o gire "  " para seleccionar la función de convección.

Nota: se puede elegir la temperatura puede desde 130 grados hasta 220 grados.

-
- 3) Pulse el botón "**INICIO/+30SEG./CONFIRMAR**" para confirmar la temperatura.

- 4) Gire "  " para ajustar el tiempo de cocción. (El tiempo de ajuste máximo es de 95 minutos.)



-
- 5) Presione el botón "**INICIO/+30SEG./CONFIRMAR**" para iniciar la cocción.

7. Cocina en varias etapas

Dos etapas pueden ser el máximo establecido. Si una etapa es de descongelación, se debe poner en la primera etapa. La alarma sonará una vez después de cada etapa y comenzará la siguiente etapa.

Nota: El menú automático y el precalentamiento no se pueden establecer como una de las etapas.

Ejemplo: desea descongelar la comida durante 5 minutos y luego cocinar con un 80% de potencia de microondas durante 7 minutos. Los pasos son los siguientes:

- 1) Pulse el botón "**DESCONGELACIÓN POR PESO/TIEMPO**" en dos ocasiones y la pantalla mostrará el mensaje "d-2";
- 2) Gire "  " para ajustar el tiempo de descongelación 5 minutos;
- 3) Pulse el botón "**MICROONDAS**" una vez;
- 4) Presione "**MICROONDAS**" de nuevo para elegir el 80% de potencia de microondas hasta la pantalla "P80";
- 5) Pulse el botón "**INICIO/+30SEG./CONFIRMAR**" para confirmar.
- 6) Gire "  " para ajustar el tiempo de cocción 7 minutos.
- 7) Pulse el botón "**INICIO/+30SEG./CONFIRMAR**" para empezar a cocinar.

8. Cocina rápida

- 1) En el estado de espera, presione "**INICIO/+30SEG./CONFIRMAR**" para cocinar con el nivel de potencia del 100% durante 30 segundos. Cada pulsación de la misma tecla puede aumentar 30 segundos. El tiempo máximo de cocción es de 95 minutos.

- 2) Durante las posiciones de microondas, parrilla, convección y la combinación de estados, pulse el botón "**INICIO/+30SEG./CONFIRMAR**" para cocinar con el nivel de potencia del 100% durante 30 segundos.



Cada pulsación de la misma tecla puede aumentar 30 segundos.

Nota: esta función no puede trabajar en descongelar y cocinar menú automático.

Gráfico menú automático

Menú	Peso	Mostrar	Potencia
A1 Recalentamiento automático	150 g	150	100%
	250 g	250	
	350 g	350	
	450 g	450	
	600 g	600	
A2 Patatas	1 (aprox.230g)	1	100%
	2 (aprox.460g)	2	
	3 (aprox.690g)	3	
A3 Carne	150 g	150	100%
	300 g	300	
	450 g	450	
	600 g	600	
A4 Verduras	150 g	150	100%
	350 g	350	
	500 g	500	
A5 Pescado	150 g	150	80%
	250 g	250	
	350 g	350	
	450 g	450	
	650 g	650	
A6 Pasta	50 (con 450 ml de agua)	50	80%
	100 (con 800ml de agua)	100	
	150 (con 1200ml de agua)	150	
A7 Sopa	200 ml	200	100%
	400 ml	400	
	600 ml	600	
A8 Tarta	475 g	475	Precalentar a 180 grados
A9 PIZZA	200 g	200	C-4
	300 g	300	
	400 g	400	
A10 Pollo	500 g	500	C-4
	750 g	750	
	1000 g	1000	
	1200 g	1200	


9. Menú automático

- 1) En el estado de espera, gire " " hacia la derecha para elegir la función deseada, y "A1", "A2", "A3"... Se mostrará "A10".
- 2) Pulse el botón "**INICIO/+30 SEG./CONFIRMAR**" para confirmar el menú que necesita.
- 3) Gire " " para elegir el peso de menú y se iluminará el indicador "g".
- 4) Pulse el botón "**INICIO/+30 SEG./CONFIRMAR**" para empezar a cocinar.

Nota: Cuando elige pastel A8, por favor no ponga el pastel en el horno al principio. El horno debe ser precalentado a 180 grados primero. Después de varios minutos, la alarma suena dos veces para recordarle que tiene que poner el pastel en el horno. Después de poner el pastel en el horno, por favor vuelva a pulsar Inicio. El temporizador iniciará la cuenta atrás, y el pastel quedará perfectamente preparado.

10. Descongelación por peso


- 1) Pulse el botón "**DESCONGELACIÓN POR PESO/TIEMPO**" una vez y la pantalla mostrará el mensaje "d-1".

- 2) Gire " " para seleccionar el peso de los alimentos. Al mismo tiempo, "g" se enciende; el peso debe ser de 100 a 2000 g.

- 3) Presione el botón "**INICIO/+30 SEG./CONFIRMAR**" para iniciar la descongelación.

11. Descongelación por tiempo

- 1) Pulse el botón "**DESCONGELACIÓN POR PESO/TIEMPO**" en dos ocasiones y la pantalla mostrará el mensaje "d-2";


- 2) Gire " " para seleccionar el tiempo de cocción. El tiempo de ajuste máximo es de 95 minutos.

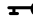
- 3) Presione el botón "**INICIO/+30 SEG./CONFIRMAR**" para iniciar la descongelación.

12. Indagar función

- (1) Durante el estado de cocción, presione "**TEMPORIZADOR DE COCINA/RELOJ**" para comprobar la hora actual. Esto se mostrará durante 2-3 segundos.
- (2) En el estado de cocción, presione "**MICROONDAS**", "**PARRILLA/ COMBI.**" o "**CONVECCIÓN**"; se mostrará la potencia de corriente durante 2-3 segundos.

13. Bloqueo para niños

Bloquear: En estado de espera, pulse "DETENER/BORRAR" durante 3 segundos. Sonará un largo "bip" que indica la entrada en el estado de bloqueo para niños y el indicador "  " se encenderá. El LED mostrará la hora actual o 0:00

Desbloquear: En estado de espera, pulse "**DETENER/BORRAR**" durante 3 segundos. Sonará un largo "bip" que indica la entrada en el estado de desbloqueo y el indicador "  " desaparecerá.

14. Especificaciones

- (1) La alarma sonará una vez cuando se gira la perilla al principio.
- (2) "**INICIO/+30 SEG./CONFIRMAR**" se debe presionar para continuar la cocción si abre la puerta durante la cocción.
- (3) Una vez que se ha establecido el programador de cocción, "**INICIO/+30SEG./CONFIRMAR**" no se pulsa en 5 minutos. Se mostrará la hora actual. El ajuste se cancelará.
- (4) La alarma suena una vez si se pulsa correctamente. En caso contrario, no habrá respuesta.
- (5) La alarma sonará cinco veces para recordarle el final de la cocción.

Solución de problemas

Normal	
El horno de microondas provoca interferencia con la recepción de la TV	La recepción de radio y televisión podría ser interferida por el funcionamiento del horno microondas. Esta interferencia es similar a aquella que producen pequeños electrodomésticos como batidoras, aspiradoras y ventiladores eléctricos. Esto es normal.
Luz del horno con baja intensidad	Cuando cocine con baja potencia la luz del horno podría perder intensidad. Esto es normal.
Se acumula vapor en la puerta y sale aire caliente por las ranuras de ventilación	Cuando cocine la comida puede emitir vapor. La mayoría saldrá por las ranuras de ventilación. Pero se podría acumular en un lugar frío como la puerta del horno. Esto es normal.
El horno se inicia accidentalmente sin comida en el interior	Está prohibido hacer funcionar esta unidad sin comida en su interior. Esto es peligroso.

Problema	Posible causa	Solución
El horno no puede iniciarse	(1) El cable de alimentación no está bien conectado.	Desconecte el cable. Reconéctelo después de 10 segundos.
	(2) Falla de los fusibles o del sistema del cortacircuitos.	Reemplace el fusible o haga que un profesional repare el cortacircuitos.
	(3) Problema con el tomacorriente.	Verifique el normal funcionamiento del tomacorriente con otros electrodomésticos.
El horno no calienta	(4) La puerta no cerró bien.	Cierre bien la puerta del horno.
El plato de vidrio giratorio hace ruido cuando funciona el microondas	(5) El rodillo de giratorio y la parte inferior del interior del horno están sucios.	Consulte "Mantenimiento del Horno de Microondas" para limpiar las partes sucias.



De acuerdo con la Directiva de Residuos de Aparatos Eléctricos y Electrónicos (WEEE, por sus siglas en inglés), estos deben recolectarse y tratarse por separado. Si en el futuro, necesita desechar este producto, por favor NO se deshaga de él junto con los residuos del hogar, envíelo a alguno de los puntos de recolección dispuestos por la WEEE donde se encuentren disponibles.

Mikrowelle
BEDIENUNGSANLEITUNG
MODELL: F45CMWD9X

Lesen Sie diese Bedienungsanleitung vor dem Gebrauch der Mikrowelle sorgfältig durch und bewahren Sie die Anleitung gut auf.

Sofern Sie die Bedienungsanleitung befolgen, wird Ihnen die Mikrowelle über viele Jahre hinweg gute Dienste leisten.

BEWAHREN SIE DIESE BEDIENUNGSANLEITUNG GUT AUF

SICHERHEITSVORKEHRUNGEN ZUM SCHUTZ VOR ÜBERMÄSSIGER MIKROWELLENSTRAHLUNG

(a) Verwenden Sie die Mikrowelle nicht mit geöffneter Tür, da Sie sich anderenfalls gefährlicher Mikrowellenstrahlung aussetzen. Die Sicherheitsvorrichtungen dürfen nicht zerstört oder modifiziert werden.

(b) Legen Sie keine Gegenstände zwischen die Tür und die Vorderseite des Geräts. Sorgen Sie dafür, dass sich weder Schmutz noch Reinigungsmittelrückstände auf den Dichtungen ansammeln.

(c) **WARNUNG:** Falls die Tür oder Türdichtungen beschädigt sind, darf das Gerät erst wieder verwendet werden, wenn es von einer qualifizierten Fachkraft repariert wurde.

ERGÄNZUNG

Wird das Gerät nicht in einem guten und sauberen Zustand gehalten, könnten die Oberfläche zerstört und dadurch die Lebensdauer des Geräts beeinträchtigt und Gefahrensituationen verursacht werden.

Technische Daten

Modell:	F45CMWD9X
Nennspannung:	230V~50Hz
Nenningangsleistung (Mikrowelle):	1450W
Nennausgangsleistung (Mikrowelle):	900W
Nenningangsleistung (Grill):	1100W
Nenningangsleistung (Konvektion):	2500W
Kapazität:	25 L
Durchmesser Drehteller:	Ø315 mm
Externe Abmessungen:	595 × 470 × 388 mm
Nettogewicht:	Ca. 21, 5 kg

WICHTIGE SICHERHEITSHINWEISE

WARNUNG

Um die Gefahr von Feuer, Stromschlägen, Verletzungen oder übermäßiger Mikrowellenstrahlung zu vermeiden, beachten Sie beim Gebrauch des Geräts die nachfolgenden, grundlegenden Sicherheitshinweise:

1. Warnung: Flüssigkeiten und andere Lebensmittel dürfen nicht in geschlossenen Behältern erwärmt werden, da solche explodieren können.
2. Warnung: Wartungs- und Reparaturarbeiten, bei denen die Abdeckung zum Schutz vor Mikrowellenstrahlung entfernt werden muss, dürfen nur von qualifizierten Fachkräften durchgeführt werden, da anderenfalls Gefahrensituationen auftreten können.
3. Dieses Gerät ist geeignet für den Gebrauch durch Kinder ab 8 Jahren und Personen mit eingeschränkten körperlichen, sensorischen oder geistigen Fähigkeiten, oder ohne Erfahrung und Wissen, sofern sie beaufsichtigt oder über den sicheren Gebrauch des Geräts angeleitet werden und die damit einhergehenden Gefahren verstehen. Kinder dürfen nicht mit dem Gerät spielen. Reinigungs- und Wartungsarbeiten dürfen nur dann von Kindern vorgenommen werden, wenn sie älter als 8 Jahre sind und beaufsichtigt werden.
4. Halten Sie das Gerät und dessen Netzkabel von Kindern unter 8 Jahren fern.
5. Verwenden Sie nur mikrowelleneegnetes Zubehör.
6. Reinigen Sie die Mikrowelle regelmäßig und entfernen Sie Essensrückstände.
7. Lesen und befolgen Sie die: „SICHERHEITSVORKEHRUNGEN ZUM SCHUTZ VOR ÜBERMÄSSIGER MIKROWELLENSTRAHLUNG“.
8. Wenn Sie Speisen in Plastik- oder Papierbehältern aufwärmen, dürfen Sie die Mikrowelle nicht aus den Augen lassen, da Brandgefahr besteht.

9. Wenn Rauch austritt, schalten Sie das Gerät aus oder ziehen Sie den Stecker aus der Steckdose. Lassen Sie die Tür geschlossen, um mögliche Flammen zu ersticken.

10. Kochen Sie Speisen nicht zu lange.

11. Verwenden Sie den Garraum des Geräts nicht für Lagerzwecke.

Bewahren Sie keine Sachen wie Brot, Plätzchen usw. im Inneren des Geräts auf.

12. Entfernen Sie Drahtverschlüsse und Metallgriffe von Papier- oder Plastikbehältern/-beuteln, bevor Sie diese in die Mikrowelle stellen.

13. Installieren Sie diese Mikrowelle nur gemäß den mitgelieferten Installationsanleitungen.

14. Eier mit Schale und ganze hart gekochte Eier dürfen nicht in der Mikrowelle erhitzt werden, da sie auch noch nach dem Betrieb des Geräts explodieren könnten.

15. Dieses Gerät ist für den Gebrauch in Haushalten und ähnliche Anwendungen bestimmt, wie z.B.:

-Mitarbeiterküchen in Geschäften, Büros und anderen Arbeitsumgebungen;

-Kunden in Hotels, Motels und anderen Unterkünften;

-Gutshäuser;

- Frühstückspensionen.

16. Ein beschädigtes Netzkabel muss vom Hersteller, von dessen Kundendienst oder einer ähnlich qualifizierten Fachkraft ersetzt werden, um Gefahrensituationen zu vermeiden.

17. Gerät nicht im Freien aufbewahren oder verwenden.

18. Verwenden Sie das Gerät nicht in der Nähe von Wasser, in nassen Kellern oder in der Nähe eines Swimming Pools.

19. Während des Betriebs werden die zugänglichen Oberflächen sehr heiß. Die Oberflächen werden während des Betriebs heiß. Halten Sie das Netzkabel von heißen Oberflächen fern und bedecken Sie nicht die Belüftungsöffnungen des Geräts.

20. Lassen Sie das Netzkabel nicht über Tischkanten oder Tresen hängen.
21. Wird das Gerät nicht in einem guten und sauberen Zustand gehalten, könnten die Oberfläche zerstört und dadurch die Lebensdauer des Geräts beeinträchtigt und Gefahrensituationen verursacht werden.
22. Inhalte in Babyflaschen und Kindernahrung in Gläsern müssen umgerührt oder geschüttelt werden. Überprüfen Sie vor dem Füttern die Temperatur, um Verbrennungen zu vermeiden.
23. Flüssigkeiten, die in der Mikrowelle erhitzt werden, können verzögert überkochen. Deren Behälter müssen daher besonders vorsichtig gehandhabt werden.
24. Das Gerät ist nicht geeignet für den Gebrauch durch Personen (einschließlich Kinder) mit eingeschränkten körperlichen, sensorischen oder geistigen Fähigkeiten, oder ohne Erfahrung und Wissen, es sei denn sie werden von einer für Ihre Sicherheit zuständigen Person beaufsichtigt oder über den sicheren Gebrauch des Geräts angeleitet.
25. Kinder müssen beaufsichtigt werden, damit sie nicht mit dem Gerät spielen.
26. Das Gerät darf nicht über eine externe Zeitschaltuhr oder über eine separate Fernsteuerung betrieben werden.
27. Zugängliche Teile können während des Betriebs heiß werden.
Kleinkinder sollten ferngehalten werden.
28. Verwenden Sie keine Dampfreiniger.
29. Das Gerät wird während des Betriebs heiß. Nehmen Sie sich vor heißen Elementen im Inneren des Geräts in Acht.
30. Verwenden Sie nur den mit diesem Gerät mitgelieferten Temperaturfühler (nur bei Geräten mit einer Vorrichtung zum Gebrauch eines Temperaturmessfühlers).

31. WARNUNG: Das Gerät und die zugänglichen Teile werden während des Betriebs heiß. Berühren Sie nicht die Heizelemente. Halten Sie Kinder unter 8 Jahren vom Gerät fern, es sei denn sie werden kontinuierlich beaufsichtigt.
32. Während des Betriebs der Mikrowelle muss die Dekotür geöffnet werden (nur bei Mikrowellen mit Dekotür).
33. Die Oberfläche eines Ablagefachs kann heiß werden.

SORGFÄLTIG DURCHLESEN UND GUT AUFBEWAHREN

Zur Vermeidung von Verletzungsgefahren

Geerdete Installation

GEFAHR

Stromschlaggefahr

Der Kontakt mit einigen internen Komponenten kann ernsthafte Verletzungen mit Todesfolge verursachen. Nehmen Sie das Gerät nicht auseinander.

WARNUNG

Stromschlaggefahr

Bei unsachgemäßer Erdung besteht Stromschlaggefahr.

Schließen Sie das Gerät erst dann an das Netz an, wenn es ordnungsgemäß installiert und geerdet wurde.

Dieses Gerät muss geerdet werden. Im Falle eines Kurzschlusses reduziert der Schutzleiter die Gefahr eines Stromschlags, indem er für den Stromfluss einen Fluchtweg bietet. Das Netzkabel dieses Geräts verfügt über einen Schutzleiter mit Erdungsvorrichtung am Stecker.

Schließen Sie den Netzstecker an eine ordnungsgemäß installierte und geerdete Steckdose an.

Wenden Sie sich an einen qualifizierten Elektriker oder Techniker, falls Sie die Anleitungen zur Erdung nicht verstehen oder falls Sie Zweifel haben, ob Ihr Gerät ordnungsgemäß geerdet ist. Falls Sie eine Verlängerungsschnur verwenden, dann nur ein 3-adriges Verlängerungskabel mit 3-zackigem Stecker.

1. Das Gerät verfügt über ein kurzes Netzkabel, um ein Verheddern des Kabels oder Stolpergefahren für Personen zu vermeiden.

2. Beachten Sie beim Gebrauch eines längeren Netzkabels oder Verlängerungskabels folgendes:

1) Die Leistungsangaben auf dem Kabel oder Verlängerungskabel müssen mindestens genauso hoch sein wie die Leistungsangaben auf dem Gerät.

2) Bei der Verlängerungsschnur muss es sich um ein 3-adriges, geerdetes Kabel handeln.

3) Längere Kabel müssen so verlegt werden, dass niemand versehentlich darüber stolpern kann und dass sie nicht über Arbeitsflächen oder Tischkanten herunterhängen, wo Kinder daran ziehen könnten.

REINIGUNG

Trennen Sie das Gerät vom Stromnetz.

1. Reinigen Sie den Garraum des Geräts nach dem Gebrauch mit einem leicht angefeuchteten Lappen.
2. Reinigen Sie das Zubehör normal in Spülwasser.
3. Wenn der Rahmen und die Dichtungen der Tür und angrenzende Teile schmutzig sind, müssen sie mit einem feuchten Lappen gereinigt werden.
4. Verwenden Sie keine aggressiven Scheuermittel oder scharfe Metallkratzer zum Reinigen der Glastür, da anderenfalls die Oberfläche beschädigt und daraus resultierend das Glas zerbrechen könnte.
5. Tipps für die Reinigung---Zum Entfernen von Essensrückständen an den Wänden des Garraums: Legen Sie eine halbe Zitrone in eine Schüssel, fügen Sie 300 ml (1/2 Pint) Wasser hinzu und erhitzen Sie das Gemisch 10 Minuten lang bei 100% Mikrowellenleistung. Wischen Sie das Gerät danach mit einem weichen, trockenen Lappen aus.

KOCHGESCHIRR

ACHTUNG

Verletzungsgefahr

Fest verschlossene

Behälter können

explodieren. Öffnen

Sie geschlossene

Behälter und stechen

Sie Plastikbeutel vor

dem Kochen an.

Siehe Abschnitt „Mikrowellengeeignetes und nicht geeignetes Material“.

Auch einige nicht metallene Gegenstände sind nicht mikrowellengeeignet. Im Zweifelsfall können Sie den Gegenstand wie folgt auf dessen Eignung testen.

Eignungstest:

1. Füllen Sie einen mikrowellengeeigneten Behälter mit 1 Tasse kaltem Wasser (250 ml) und legen Sie den gewünschten Gegenstand hinein.
2. Starten Sie das Gerät bei höchster Leistung 1 Minute lang.
3. Fassen Sie den Gegenstand vorsichtig an. Falls der leere Gegenstand warm ist, verwenden Sie ihn nicht in der Mikrowelle.
4. **Schalten Sie das Gerät nicht länger als 1 Minute ein.**

Mikrowellengeeignetes Material

Material	Hinweise
Aluminiumfolie	Nur zum Abdecken. Verwenden Sie kleine, glatte Stückchen Folie, um dünne Stellen Fleisch oder Geflügel abzudecken, damit diese nicht verbrennen. Funkenbildung kann entstehen, wenn die Folie zu nah an den Wänden liegt. Lassen Sie zwischen der Folie und den Wänden mindestens 1 Zoll (2,5 cm) Platz.
Bratgeschirr	Befolgen Sie die Anleitungen des Herstellers. Die Unterseite von Bratgeschirren muss sich mindestens 3/16 Zoll (5 mm) über dem Drehteller befinden. Bei unsachgemäßem Gebrauch könnte der Drehteller zerspringen.
Essgeschirr	Nur falls mikrowellengeeignet. Befolgen Sie die Anleitungen des Herstellers. Verwenden Sie kein Geschirr mit Sprüngen oder Rissen.
Glasbehälter	Nehmen Sie immer den Deckel ab. Erhitzen Sie Speisen nur soweit, bis sie gerade warm sind. Die meisten Gläser sind nicht hitzebeständig und könnten zerspringen.
Glasgeschirr	Nur falls hitzebeständig. Das Geschirr darf keine Metallumrandung haben. Verwenden Sie kein Geschirr mit Sprüngen oder Rissen.
Kochbeutel für Mikrowellen	Befolgen Sie die Anleitungen des Herstellers. Nicht mit Metallbindern verschließen. Ritzen Sie die Beutel an, damit Dampf entweichen kann.
Papierteller und -becher	Nur zum kurzen Kochen/Aufwärmen. Lassen Sie die Mikrowelle während des Betriebs nicht unbeaufsichtigt.
Küchenpapier	Um Speisen abzudecken und Fett aufzusaugen. Nur unter Beobachtung und zum kurzen Kochen.
Backpapier	Zum Abdecken, um Spritzer zu vermeiden, oder um Speisen, die gedämpft werden sollen, einzuwickeln.
Plastik	Nur falls mikrowellengeeignet. Befolgen Sie die Anleitungen des Herstellers. Suchen Sie nach der Markierung „Microwave Safe“ (Mikrowellengeeignet). Einige Plastikbehälter werden aufgrund der heißen Speisen weich. „Kochbeutel“ und dicht verschlossene Plastikbeutel müssen je nach Herstelleranleitung angeritzt, angestochen oder belüftet werden.
Plastikfolie	Nur falls mikrowellengeeignet. Zum Abdecken, um Feuchtigkeit zu erhalten. Achten Sie darauf, dass die Plastikfolie nicht in den Kontakt mit den Speisen kommt.
Thermometer	Nur falls mikrowellengeeignet (Fleisch- und Zuckerthermometer).
Wachspapier	Zum Abdecken, um Spritzer zu vermeiden und Feuchtigkeit zu erhalten.

Nicht mikrowellengeeignetes Material

Material	Hinweise
Aluminiumteller	Funkenbildung möglich. Geben Sie die Lebensmittel in einen mikrowellengeeigneten Behälter.
Essbehälter mit Metallgriff	Funkenbildung möglich. Geben Sie die Lebensmittel in einen mikrowellengeeigneten Behälter.
Gegenstände aus Metall oder mit Metallverzierung	Metall blockiert die Mikrowellenstrahlen. Metallverzierungen können Funkenbildung verursachen.
Metallverschlüsse	Funkenbildung möglich und Brandgefahr.
Papiertüten	Brandgefahr.
Styropor	Styropor kann bei zu hohen Temperaturen schmelzen und die Flüssigkeiten im Behälter verunreinigen.
Holz	Holz trocknet in der Mikrowelle aus und könnte zerspringen.

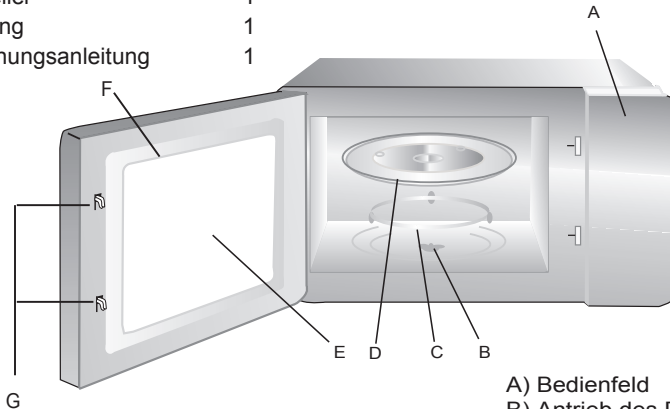
AUFBAU DER MIKROWELLE

Geräteteile und Zubehör

Nehmen Sie die Mikrowelle und alle Materialien aus der Verpackung und aus dem Inneren der Mikrowelle heraus.

Ihre Mikrowelle wird mit folgendem Zubehör geliefert:

Glasteller	1
Drehring	1
Bedienungsanleitung	1

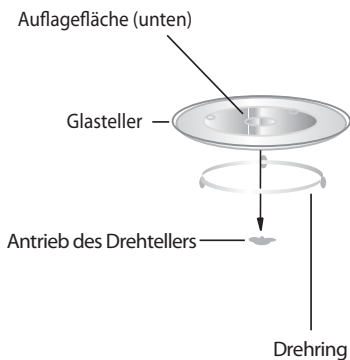


- A) Bedienfeld
- B) Antrieb des Drehtellers
- C) Drehring
- D) Glasteller
- E) Sichtfenster
- F) Tür
- G) Sicherheitsverriegelungen



Grillrost (nur für die Grill-/Heißluftfunktion;
Installation auf dem Glasteller)

Installation des Drehtellers



- Der Glasteller darf nicht falsch herum installiert oder blockiert werden.
- Sowohl der Glasteller als auch der Drehring müssen während des Betriebs verwendet werden.
- Speisen und Behälter müssen zum Kochen auf den Glasteller gestellt werden.
- Falls der Glasteller oder der Drehring Risse oder Brüche aufweisen, wenden Sie sich bitte an ein Kundendienstzentrum in Ihrer Nähe.

Installation auf Arbeitsflächen

Entfernen Sie das gesamte Verpackungsmaterial und Zubehör.

Untersuchen Sie die Mikrowelle auf mögliche Schäden wie Dellen oder Risse in der Tür. Im Schadensfall darf die Mikrowelle nicht installiert werden.

Gehäuse: Entfernen Sie Schutzfolien auf der Gehäuseoberfläche des Geräts.

Entfernen Sie nicht die hellbraune Glimmerscheibe im Inneren der Mikrowelle. Diese schützt das Magnetron.

Installation und Anschlüsse

1. Dieses Gerät ist nur für den Heimgebrauch vorgesehen.
2. Die Mikrowelle ist nur für Einbauinstallationen geeignet. Sie darf nicht auf Arbeitsflächen oder in einem Schrank installiert werden.
3. Bitte beachten Sie die besonderen Installationsanleitungen.
4. Das Gerät kann in einem 60 cm breiten Hängeschrank (mindestens 55 cm tief und 85 cm über dem Boden) installiert werden.
5. Das Gerät verfügt über einen Netzstecker, der an eine ordnungsgemäß installierte und geerdete Steckdose angeschlossen werden muss.
6. Die Netzspannung muss den Spannungsangaben auf dem Typenschild entsprechen.
7. Die Steckdose und das Anschlusskabel dürfen nur von einem qualifizierten Elektriker installiert bzw. ersetzt werden. Falls der Netzstecker nach der Installation nicht mehr zugänglich ist, ist installationsseitig eine allpolige Trennvorrichtung mit einer Kontaktöffnungsweite von mindestens 3 mm vorzusehen.
8. Adapter, Mehrfachsteckleisten und Verlängerungskabel dürfen nicht verwendet werden. Es besteht Brandgefahr aufgrund von Überladung.

Zugängliche Oberflächen können während des Betriebs heiß werden.



Installationsanleitungen

Lesen Sie die Bedienungsanleitung vor der Installation sorgfältig durch

Beachten Sie

Elektrische Anschlüsse

Die Mikrowelle verfügt über einen Netzstecker, der nur an eine ordnungsgemäß installierte und geerdete Steckdose angeschlossen werden darf. Die Steckdose und das Anschlusskabel dürfen nur von einem qualifizierten Elektriker und gemäß den geltenden Vorschriften installiert bzw. ersetzt werden.

Falls der Netzstecker nach der Installation nicht mehr zugänglich ist, ist installationsseitig ein allpoliger Trennschalter mit einer Kontaktöffnungsweite von mindestens 3 mm vorzusehen.

Der Einbauschrank darf hinter dem Gerät keine Rückwand haben.

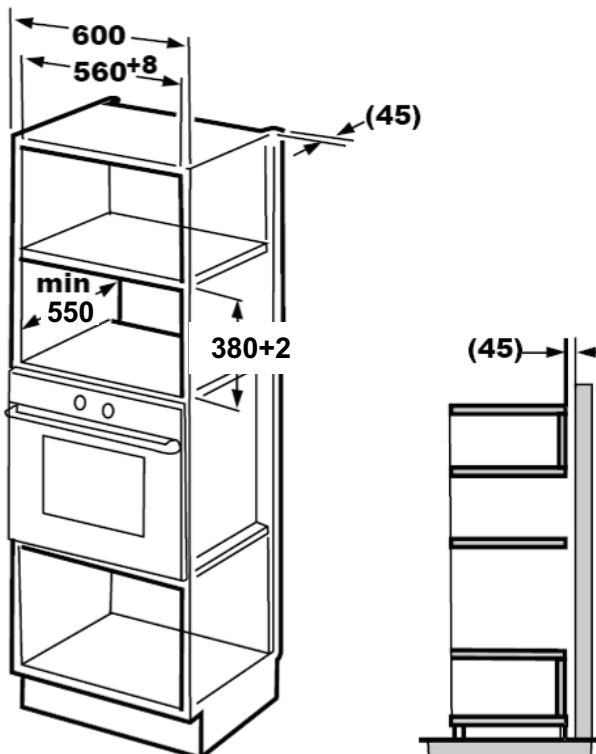
Mindesthöhe der Installation: 85 cm.

Belüftungsslitze und Saugöffnungen dürfen nicht bedeckt werden.

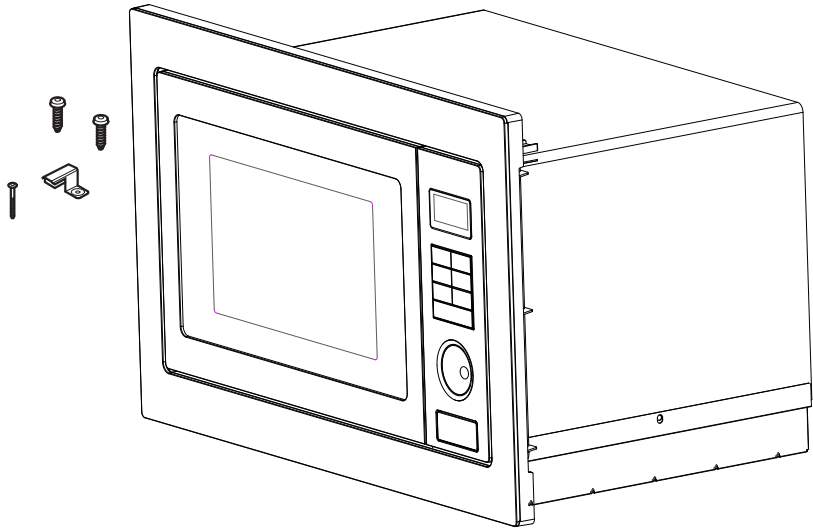
Hinweis:

Das Netzkabel nicht einklemmen oder knicken.

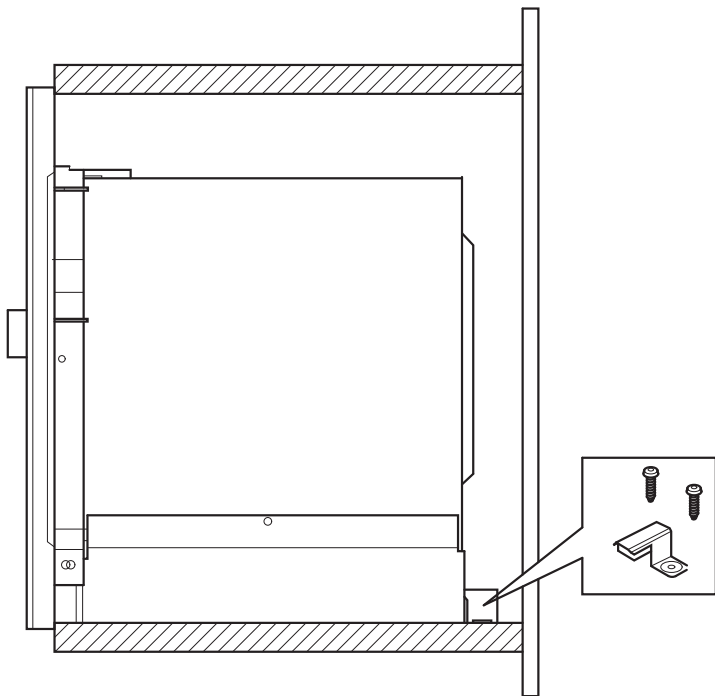
A. Einbauschrank



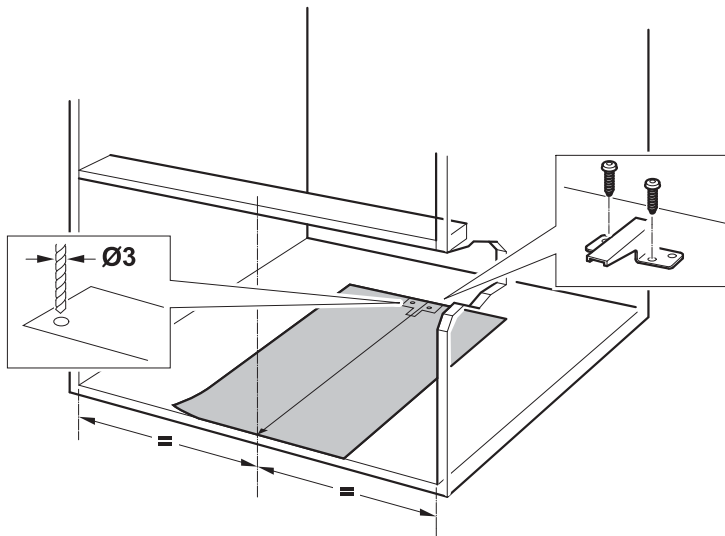
2.



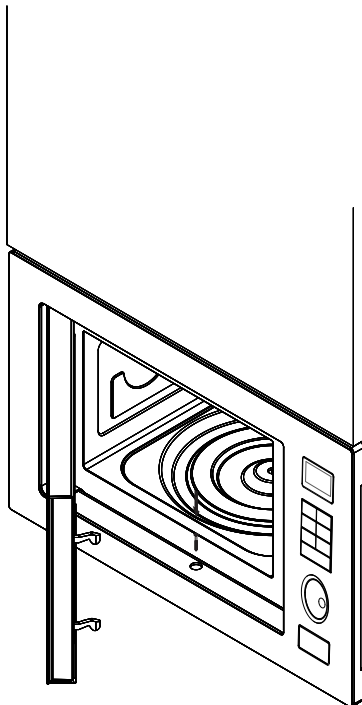
3.



4.



5.



GEBRAUCHSANLEITUNGEN

Diese Mikrowelle ist mit einer modernen Elektronik ausgestattet, um Ihren Kochanforderungen optimal entgegenzukommen.

1. Einstellung der Uhrzeit

Wenn Sie die Mikrowelle einschalten, erscheint im Display die Anzeige „0:00“ und der Buzzer ertönt einmal.

1) Drücken Sie zweimal die Taste „**TIMER/UHRZEIT**“. Im Display erscheint die Anzeige „00:00“.

2) Stellen Sie mit dem Regler „“ die Stunden ein (0--23; 24-Stundenformat).

3) Drücken Sie die Taste „**TIMER/UHRZEIT**“ erneut; die Minutenanzeige beginnt zu blinken.

4) Stellen Sie mit dem Regler „“ die Minuten ein (0--59).


5) Drücken Sie zum Abschluss die Taste „**TIMER/UHRZEIT**“. „:“ blinkt im Display.

Hinweis: 1) Falls die Uhrzeit nicht eingestellt ist, funktioniert die Mikrowelle nicht nach dem Start des Betriebs.

2) Drücken Sie während der Einstellung der Uhrzeit die Taste „**STOPP/LÖSCHEN**“, um zum vorhergehenden Modus zurückzukehren.

2. Kochzeit

(1) Drücken Sie einmal die Taste „**TIMER/UHRZEIT**“; im LED erscheint die Anzeige 00:00.

(2) Stellen Sie mit dem Regler „“ die entsprechende Zeit ein (max. Kochzeit beträgt 95 Minuten).

(3) Bestätigen Sie Ihre Einstellung mit der Taste „**START/+30SEK./BESTÄTIGEN**“.


(4) Nach Ablauf der Zeit ertönt der Buzzer 5 Mal.

Falls die Uhrzeit basierend auf dem 24-Stundenformat eingestellt wurde, wird nun im LED die aktuelle Uhrzeit angezeigt.

Hinweis: Die Einstellung der Kochzeit ist nicht identisch mit der Uhrzeit, es handelt sich stattdessen um einen Timer.

3. Mikrowellen-Funktion

Drücken Sie die Taste „**Mikrowelle**“; im LED erscheint die Anzeige „P100“.

Drücken Sie wiederholt die Taste „**Mikrowelle**“, um die gewünschte Leistungsstufe einzustellen. Je nach Einstellung erscheint im Display die Anzeige „P100“, „P80“, „P50“, „P30“ oder „P10“. Bestätigen Sie Ihre Einstellung mit der Taste „**START/+30SEK./BESTÄTIGEN**“ und stellen Sie dann mit dem Regler „“ eine Kochzeit zwischen 0:05 und 95:00 Minuten ein. Drücken Sie

„**START/+30SEK./BESTÄTIGEN**“ erneut, um den Kochvorgang zu starten.


Beispiel: Sie möchten 20 Minuten lang bei einer Leistung von 80% kochen.

Nehmen Sie dafür folgende Einstellungen vor:

- 1) Drücken Sie einmal die Taste „**Mikrowelle**“; im Display erscheint „P100“.

- 2) Drücken Sie „**Mikrowelle**“ erneut, um die Leistung von 80% einzustellen.

- 3) Drücken Sie die Taste „**START/+30SEK./BESTÄTIGEN**“ zum Bestätigen; im Display erscheint die Anzeige „P80“.

- 4) Drehen Sie den Regler „“ zum Einstellen der Kochzeit, bis im Display „20:00“ erscheint.



- 5) Drücken Sie „Start/+30Sek./Bestätigen“, um den Kochvorgang zu starten.
Hinweis: Bei der Einstellung der Kochzeit ändert sich die Anzeige in folgenden Schritten:
 - 0--1 min : 5 Sekunden
 - 1--5 min : 10 Sekunden
 - 5--10 min : 30 Sekunden
 - 10--30 min : 1 Minute
 - 30--95 min : 5 Minuten

Leistungsübersicht der Mikrowelle

Tastendruck	Einmal	Zweimal	Dreimal	Viermal	Fünfmal
Leistung der Mikrowelle	100%	80%	50%	30%	10%

4. Grill- oder Kombi-Funktion


Drücken Sie die Taste „**Grill/Kombi.**“; im LED erscheint die Anzeige „G-1“.

Drücken Sie nun wiederholt die Taste „**Grill/Kombi.**“ Oder drehen Sie den Regler „“, um die gewünschte Leistung einzustellen. Je nach Einstellung erscheint im Display „G-1“, „C-1“, „C-2“, „C-3“ oder „C-4“. Bestätigen Sie Ihre Auswahl mit der Taste „**START/+30SEK./BESTÄTIGEN**“ und stellen Sie dann mit dem Regler „“ eine Kochzeit zwischen 0:05 und 95:00 Minuten ein. Drücken Sie „**START/+30SEK./BESTÄTIGEN**“ erneut, um den Kochvorgang zu starten.

Beispiel: Sie möchten 10 Minuten lang die Grill-Funktion verwenden. Nehmen Sie dafür folgende Einstellungen vor:

1) Drücken Sie einmal die Taste „**Grill/Kombi.**“; im Display erscheint „G-1“.

2) Drücken Sie „**START/+30SEK./BESTÄTIGEN**“ zum Bestätigen.

3) Drehen Sie den Regler „“ zum Einstellen der Kochzeit, bis im Display „10:00“ erscheint.

4) Drücken Sie „**START/+30SEK./BESTÄTIGEN**“, um den Kochvorgang zu starten.


Hinweis: Nach Ablauf der Hälfte der Grillzeit ertönen zwei Signaltöne. Das ist normal und soll Sie daran erinnern, die gegrillten Speisen für ein besseres Ergebnis zu wenden. Schließen Sie danach die Tür und drücken Sie „**START/ +30SEK./Bestätigen**“, um den Kochvorgang fortzusetzen. Falls Sie die Signaltöne ignorieren und nichts unternehmen, läuft das Gerät normal weiter.

Hinweis: Anleitungen für die Kombi-Funktionen


Taste drücken	Display	Mikrowelle	Grill	Heißluft
1	C-1	●		●
2	C-2	●	●	
3	C-3		●	●
4	C-4	●	●	●

5. Heißluft-Funktion (mit Vorheizen)


Mit der Heißluft-Funktion können Sie Speisen wie in einem herkömmlichen Ofen zubereiten. Die Mikrowellen-Funktion wird deaktiviert. Es wird empfohlen, das Gerät auf die entsprechende Temperatur vorzuheizen, bevor Sie die Speisen hineinstellen.

- 1) Drücken Sie einmal die Taste „**HEISSLUFT**“; im Display erscheint „130“.
- 2) Drücken Sie weiter die Taste „**HEISSLUFT**“ oder drehen Sie den Regler „“, um die Heißluft-Funktion einzustellen.


Hinweis: Stellen Sie eine Temperatur zwischen 130 und 220 Grad ein.

- 3) Drücken Sie „**START/+30SEK./BESTÄTIGEN**“, um die Temperatureinstellung zu bestätigen.
- 4) Drücken Sie „**START/+30SEK./BESTÄTIGEN**“, um das Gerät vorzuheizen. Sobald die eingestellte Temperatur erreicht ist, ertönt der Buzzer zweimal, um Sie daran zu erinnern, die Speisen in die Mikrowelle zu stellen. Im Display blinkt die eingestellte Temperatur.
- 5) Stellen Sie die Speisen in die Mikrowelle und schließen Sie die Tür.
Stellen Sie mit dem Regler „“ die Kochzeit ein (maximal 95 Minuten).
- 6) Drücken Sie die Taste „**START/+30SEK./BESTÄTIGEN**“, um den Kochvorgang zu starten.
Hinweis: a. Sie können die Kochzeit erst eingeben, wenn die Mikrowelle die eingestellte Temperatur durch Vorheizen erreicht hat.
Öffnen Sie nach Erreichen der Temperatur die Tür, um die Kochzeit einzugeben.
b. Wenn Sie innerhalb von 5 Minuten keine Zeit eingeben, bricht das Gerät den Heizvorgang ab. Der Buzzer ertönt fünfmal und kehrt dann in den Standby-Modus zurück.

6. Heißluft-Funktion (ohne Vorheizen)

- 1) Drücken Sie einmal die Taste „**HEISSLUFT**“; im Display erscheint „130“.
- 2) Drücken Sie weiter die Taste „**HEISSLUFT**“ oder drehen Sie den Regler „“, um die Heißluft-Funktion einzustellen.
Hinweis: Stellen Sie eine Temperatur zwischen 130 und 220 Grad ein.

- 3) Drücken Sie „**START/+30SEK./BESTÄTIGEN**“, um die Temperatureinstellung zu bestätigen.

- 4) Stellen Sie mit dem Regler „“ die Kochzeit ein (maximal 95 Minuten).


- 5) Drücken Sie die Taste „**START/+30SEK./BESTÄTIGEN**“, um den Kochvorgang zu starten.

7. Mehrstufiges Kochen

Es können bis zu zwei Stufen programmiert werden. Wenn Sie mit dieser Einstellung Lebensmittel auftauen möchten, müssen Sie die Auftaufunktion als erste Stufe programmieren. Nach Ablauf jeder Stufe ertönt der Buzzer einmal und die nächste Stufe beginnt.

Hinweis: Die automatischen Menüfunktionen und Vorheizen lassen sich nicht für das mehrstufige Kochen programmieren.

Beispiel: Sie möchten Lebensmittel 5 Minuten lang auftauen und anschließend 7 Minuten lang bei einer Mikrowellenleistung von 80% kochen. Gehen Sie wie folgt

- 1) Drücken Sie zweimal die Taste „**GEWICHT/DAUER AUFTAUEN**“; im Display erscheint die Anzeige „d-2“.
- 2) Stellen Sie mit dem Regler „“ eine Auftauzeit von 5 Minuten ein.
- 3) Drücken Sie einmal die Taste „**MIKROWELLE**“.
- 4) Drücken Sie „**MIKROWELLE**“ wiederholt, um eine Mikrowellenleistung von 80% einzustellen; im Display erscheint „P80“.
- 5) Bestätigen Sie mit der Taste „**START/+30SEK./BESTÄTIGEN**“.
- 6) Stellen Sie mit dem Regler „“ eine Kochdauer von 7 Minuten ein.
- 7) Drücken Sie die Taste „**START/+30SEK./BESTÄTIGEN**“, um den Kochvorgang zu starten.

8. Schnellkochfunktion

- 1) Drücken Sie im Standby-Modus die Taste „**START/+30SEK./BESTÄTIGEN**“, um 30 Sekunden lang mit einer Leistung von 100% zu kochen. Mit jedem weiteren Drücken lässt sich die Kochzeit bis zu einem Höchstwert von 95 Minuten erhöhen.
- 2) Drücken Sie in den Modi Mikrowelle, Grill, Heißluft oder Kombi die Taste „**START/+30SEK./BESTÄTIGEN**“, um 30 Sekunden lang mit einer Leistung von 100% zu kochen.



Mit jedem weiteren Drücken der gleichen Taste erhöht sich die Kochzeit um 30 Sekunden.

Hinweis: Diese Funktion ist nicht für die Auftaufunktion und die automatischen Menüfunktionen verfügbar.

Übersicht der automatischen Menüfunktionen

Menü	Gewicht	Display	Leistung
A1 Automatisch aufwärmen	150 g	150	100%
	250 g	250	
	350 g	350	
	450 g	450	
	600 g	600	
A2 Kartoffeln	1 (ca. 230g)	1	100%
	2 (ca. 460g)	2	
	3 (ca. 690g)	3	
A3 Fleisch	150 g	150	100%
	300 g	300	
	450 g	450	
	600 g	600	
A4 Gemüse	150 g	150	100%
	350 g	350	
	500 g	500	
A5 Fisch	150 g	150	80%
	250 g	250	
	350 g	350	
	450 g	450	
	650 g	650	
A6 Nudeln	50 (mit Wasser 450ml)	50	80%
	100 (mit Wasser 800ml)	100	
	150 (mit Wasser 1200ml)	150	
A7 Suppe	200 ml	200	100%
	400 ml	400	
	600 ml	600	
A8 Kuchen	475 g	475	Auf 180 Grad vorheizen
A9 PIZZA	200 g	200	C-4
	300 g	300	
	400 g	400	
A10 Hühnchen	500 g	500	C-4
	750 g	750	
	1000 g	1000	
	1200 g	1200	


9. Automatische Menüfunktionen

- 1) Drehen Sie den Regler „“ im Standby-Modus nach rechts, um die gewünschte Funktion auszuwählen. Je nach Funktion erscheint im Display „A1“, „A2“, „A3“ ... „A10“.
- 2) Drücken Sie die Taste „**START/+30SEK./BESTÄTIGEN**“ zum Bestätigen der ausgewählten Funktion.
- 3) Stellen Sie mit dem Regler „“ das Gewicht ein; im Display leuchtet die Anzeige „g“ auf.
- 4) Drücken Sie „**START/+30SEK./BESTÄTIGEN**“, um den Kochvorgang zu starten.

Hinweis: Wenn Sie die Funktion A8 Kuchen ausgewählt haben, stellen Sie den Kuchen anfangs noch nicht in die Mikrowelle. Das Gerät muss sich erst bis auf 180 Grad aufheizen. Nach einigen Minuten ertönt der Buzzer zweimal, um Sie daran zu erinnern, den Kuchen in die Mikrowelle zu stellen. Stellen Sie den Kuchen in das Gerät und drücken Sie dann die Start-Taste erneut. Die Kochzeit läuft rückwärts, bis der Kuchen fertig ist.

10. Auftauen nach Gewicht


- 1) Drücken Sie einmal die Taste „**GEWICHT/DAUER AUFTAUEN**“; im Display erscheint die Anzeige „d-1“.

- 2) Stellen Sie mit dem Regler „“ das Gewicht der Lebensmittel ein. Im Display leuchtet die Anzeige „g“ auf. Wählen Sie ein Gewicht 100-2000g.

- 3) Drücken Sie die Taste „**START/+30SEK./BESTÄTIGEN**“, um den Auftauvorgang zu starten.

11. Auftauen nach Zeit

- 1) Drücken Sie einmal die Taste „**GEWICHT/DAUER AUFTAUEN**“; im Display erscheint die Anzeige „d-2“.

- 2) Stellen Sie mit dem Regler „“ eine Dauer von höchstens 95 Minuten ein.

- 3) Drücken Sie die Taste „**START/+30SEK./BESTÄTIGEN**“, um den Auftauvorgang zu starten.

12. Aktuelle Einstellungen anzeigen lassen

- (1) Drücken Sie während des Kochvorgangs die Taste „**TIMER/UHRZEIT**“, um für 2-3 Sekunden lang die aktuelle Uhrzeit anzuzeigen.
- (2) Drücken Sie während des Kochvorgangs die Taste „**MIKROWELLE**“, „**GRILL/KOMBI**“ oder „**HEISSLUFT**“, um 2-3 Sekunden lang die aktuelle Leistungsstufe anzuzeigen.

13. Kindersicherung

Sperren: Drücken Sie im Standby-Modus 3 Sekunden lang die Taste „**STOPP/LÖSCHEN**“. Es ertönt ein langer „Piep“-Ton. Die Kindersicherung wird aktiviert und es erscheint die Anzeige „**🔒**“. Im LED wird außerdem die aktuelle Uhrzeit oder 0:00 angezeigt.

Entsperren: Drücken Sie bei aktivierter Kindersicherung 3 Sekunden lang die Taste „**STOPP/LÖSCHEN**“. Es ertönt ein langer „Piep“-Ton. Die Kindersicherung wird deaktiviert und die Anzeige „**🔒**“ verschwindet aus dem Display.

14. Spezifikationen

- (1) Der Buzzer ertönt einmal, wenn Sie am Anfang den Regler drehen.
- (2) Wenn Sie während des Kochvorgangs die Tür öffnen, müssen Sie anschließend die Taste „**START/+30 SEK./BESTÄTIGEN**“ drücken, um den Kochvorgang fortzusetzen.
- (3) Wenn Sie nach Einstellung der Kochzeit innerhalb von 5 Minuten nicht die Taste „**START/+30 SEK./BESTÄTIGEN**“ drücken, wird die Einstellung abgebrochen und im Display die aktuelle Uhrzeit angezeigt.
- (4) Bei erfolgreichem Drücken einer Taste ertönt der Buzzer einmal. Ertönt der Buzzer nicht, wurde die Taste nicht richtig gedrückt.
- (5) Nach Ablauf der Kochzeit ertönt der Buzzer fünfmal.

Störbehebung

Normal	
Der Betrieb der Mikrowelle stört den Fernsehempfang	Während des Betriebs der Mikrowelle kann der Radio- und Fernsehempfang gestört sein. Dies ähnelt den Störungen kleiner elektrischer Geräte wie Mixer, Staubsaugern und Ventilatoren. Das ist normal.
Lampe ist dunkel	Bei Kochprogrammen der niedrigen Leistungsstufe kann die Beleuchtung dunkler werden. Das ist normal.
Dampf bildet sich an der Tür, heißer Dampf tritt aus den Belüftungsöffnungen aus	Während des Kochens erzeugen die Speisen heißen Dampf, der zum größten Teil über die Belüftungsöffnungen abgeleitet wird. Ein weiterer Teil kann sich an der kühleren Gerätetür absetzen. Das ist normal.
Gerät versehentlich ohne Speisen gestartet	Das Gerät darf nicht ohne Speisen gestartet werden. Dieser Zustand ist sehr gefährlich.

Problem	Mögliche Ursache	Behebung
Mikrowelle startet nicht	(1) Netzkabel nicht richtig angeschlossen.	Trennen Sie das Netzkabel und schließen es nach 10 Sekunden erneut an.
	(2) Sicherung durchgebrannt oder Leistungsschutzschalter aktiviert.	Ersetzen Sie die Sicherung oder stellen Sie den Leistungsschutzschalter zurück (muss von einer Fachkraft unserer Firma repariert werden).
	(3) Steckdose fehlerhaft.	Schließen Sie zum Test andere elektrische Geräte an die gleiche Steckdose an.
Mikrowelle erhitzt nicht	(4) Tür nicht richtig geschlossen.	Schließen Sie die Tür ordnungsgemäß.
Drehteller macht während des Betriebs Krach	(5) Drehtellerauflage und Boden der Mikrowelle sind schmutzig.	Reinigen Sie die schmutzigen Teile gemäß Abschnitt „Reinigung“.



Im Einklang mit der Richtlinie zur Entsorgung elektrischer und elektronischer Altgeräte (WEEE) müssen Altgeräte getrennt entsorgt und behandelt werden. Entsorgen Sie dieses Produkt zum gegebenen Zeitpunkt NICHT über den normalen Haushaltsmüll sondern geben Sie es an entsprechenden WEEE-Sammelstellen, sofern vorhanden, ab.

Microwave Oven
INSTRUCTIE HANDLEIDING
MODEL: F45CMWD9X

Lees deze instructies zorgvuldig voordat u uw microwave oven gaat gebruiken en bewaar ze zorgvuldig.
Als u de instructies volgt, kan uw oven u vele jaren van goede service leveren.

BEWAAR DEZE INSTRUCTIES ZORGVULDIG

VOORZORGSMAATREGELEN OM OM MOGELIJKE BLOOTSTELLING AAN TEVEEL MICROWAVE ENERGIE TE VERMIJDEN

- (a) Gebruik deze oven niet met het deurtje open aangezien dit schadelijke blootstelling aan microwave energie teweeg kan brengen. Het is belangrijk dat de beveiligingsloten niet worden gebroken.
- (b) Zet geen enkel object tussen voorzijde van de oven en deurtje of laat vuil of schoonmaak restanten zich opstapelen op verzegelde oppervlaktes.
- (c) **WAARSCHUWING:** Als het deurtje of zegels zijn beschadigd, mag de oven niet worden gebruikt totdat het is gerepareerd door een bekwaam vakman.

AANVULLING

Als het apparaat niet schoon wordt onderhouden, kan de oppervlakte verslechteren en de levensduur van het apparaat beïnvloeden en tot gevaarlijke situaties leiden.

Specificaties

Model:	F45CMWD9X
Geschat voltage:	230V~50Hz
Geschat invoervermogen (Microwave):	1450W
Geschat uitvoervermogen (Microwave):	900W
Geschat invoervermogen (Grill):	1100W
Geschat invoervermogen (Convectie):	2500W
Oven capaciteit:	25 L
Diameter draaitafel:	∅315 mm
Externe afmetingen:	595×470×388 mm
Nettogewicht:	Circa. 21, 5 kg

BELANGRIJKE VEILIGHEIDSINSTRUCTIES WAARSCHUWING

Om risico's van vuur, elektrische schok, verwonding aan personen of blootstelling aan teveel microwave oven energie te vermijden tijdens gebruik van uw apparaat, volg de basis voorzorgsmaatregelen, waaronder de volgende:

1. Waarschuwing: Vloeistoffen en voedsel moeten niet verhit worden in verpakte containers aangezien deze kunnen exploderen.
2. Waarschuwing: Het is riskant voor ieder ander dan een bekwaam persoon om enig onderhoud of reparatie uit te voeren dat de verwijdering van een deksel vereist, welke bescherming biedt tegen blootstelling aan microwave energie.
3. Dit apparaat kan door kinderen vanaf 8 jaar en ouder worden gebruikt en personen met verminderde fysieke, sensorische of mentale capaciteiten of gebrek aan ervaring en kennis, als ze toezicht en instructies hebben gekregen over het gebruik van het apparaat op een veilige manier en de mogelijke risico's begrijpen. Kinderen mogen niet met het apparaat spelen. Schoonmaak en gebruiksonderhoud mag niet door kinderen worden uitgevoerd, tenzij ze ouder zijn dan 8 en iemand toekijkt.
4. Houd apparaat en het snoer buiten bereik van kinderen die jonger zijn dan 8.
5. Gebruik alleen voorwerpen die geschikt zijn voor microwave ovens.
6. De oven moet regelmatig worden schoongemaakt en elke voedselrestant moet worden verwijderd.
7. Lees en volg de specifieke: "VOORZORGSMATREGELEN OM OM MOGELIJKE BLOOTSTELLING AAN TEVEEL MICROWAVE ENERGIE TE VERMIJDEN".
8. Wanneer voedsel wordt verhit in plastic of papieren verpakking, let dan op de oven om een mogelijke ontbranding te vermijden.

9. Wanneer rook zichtbaar is, schakel het apparaat uit of verwijder de stekker en houdt het deurtje gesloten om vlammen te doven.
10. Laat voeding niet gaar worden.
11. Gebruik de holte van de oven niet voor opslagdoeleinden. Sla geen items op, zoals brood, koekjes, enz, in de oven op.
12. Verwijder bedradingen en metalen handvaten van papier of plastic verpakkingen/zakjes alvorens ze in de oven te zetten.
13. Plaats of zet de oven alleen zoals omschreven staat in de instructies.
14. Eieren in de schaal en hard gekookte eieren mogen niet in microwave oven's verhit worden aangezien ze kunnen exploderen, zelfs nadat de microwave verhitting is gestopt.
15. Dit apparaat is alleen voor huishoudelijk gebruik bedoeld en vergelijkbare plaatsen, zoals:
 - personeel keukens in winkel's, kantoren en andere werkomgevingen
 - door klanten in hotels, motels en andere residentiele type omgevingen;
 - boerderij huizen;
 - bed en ontbijt omgevingen.
16. Wanneer het netsnoer is beschadigd, moet het door de fabrikant worden vervangen, zijn service agent of vergelijkbaar bekwaam persoon om risico's te vermijden.
17. Gebruik of berg dit apparaat niet buiten op.
18. Gebruik deze oven niet in de buurt van water, in een vochtige kelder of in de buurt van een zwembad.
19. De temperatuur van toegankelijke oppervlaktes kan hoog zijn wanneer het apparaat werkzaam is. De oppervlaktes worden heet tijdens gebruik. Houd het snoer uit de buurt van een verhit oppervlak en bedek geen enkele opening van de microwave

20. Laat het snoer niet over de rand van een tafel of toonbank hangen.
21. Als de oven niet op een schone manier wordt onderhouden, kan dit tot verslechtering van het oppervlak leiden en de levensduur van het apparaat nadelig beïnvloeden en mogelijk risico's veroorzaken.
22. De inhoud van melkflessen en baby voedingspotjes moeten geklopt of geschud worden en de temperatuur moet alvorens gebruik gecontroleerd worden om verbrandingen te vermijden.
23. Microwave verhitting van drankjes kan resulteren in vertraagd, eruptief koken; daarom moet de verpakking voorzichtig worden behandeld.
24. Het apparaat is niet bedoeld voor gebruik van personen (inclusief kinderen) met verminderde, fysieke, sensorische of mentale capaciteiten, of gebrek aan ervaring en kennis, tenzij er iemand in de buurt is of instructies hebben gekregen over gebruik van het apparaat door een persoon die verantwoordelijk is voor hun veiligheid.
25. Op kinderen moet worden gelet om te voorkomen dat ze met het apparaat spelen.
26. De apparaten zijn niet voor gebruik bedoeld door middel van een externe timer of apart afstandsbediening regelsysteem.
27. Beschikbare onderdelen kunnen tijdens gebruik warm worden.
Jonge kinderen moeten uit de buurt worden gehouden.
28. Een stoom reiniger mag niet worden gebruikt.
29. Het apparaat wordt tijdens gebruik heet. Verwarmde elementen in de oven mogen niet aangeraakt worden.
30. Gebruik alleen de temperatuur sonde die aanbevolen wordt voor deze oven. (Voor ovens met een faciliteit voor gebruik van een temperatuur gevoelige sonde.)

31. WAARSCHUWING: Het apparaat en zijn onderdelen worden heet tijdens gebruik. Verwarmde elementen mogen niet worden aangeraakt. Kinderen jonger dan 8 jaar moeten uit de buurt worden gehouden tenzij er continu toezicht aanwezig is.
32. De microwave oven moet met het decoratief deurtje open bediend worden. (voor ovens met een decoratief deurtje.)
33. Het oppervlak van een opslagruimte kan heet worden.

LEES ZORGVULDIG EN BEWAAR VOOR TOEKOMSTIGE NASLAG

Risico's van verwonding aan personen reduceren

Gearde Installatie

GEVAAR

Elektrische schok risico door het aanraken van sommige interne onderdelen kan ernstige verwonding of overlijden veroorzaken. Haal dit apparaat niet uit elkaar.

WAARSCHUWING

Elektrische schok risico door verkeerd gebruik van aarding kan een elektrische schok veroorzaken. Steek de stekker niet in een stopcontact voordat het apparaat goed is geïnstalleerd en geaard.

Dit apparaat moet geaard zijn. In het geval van elektrische kortsluiting, kan aarding het risico van elektrische schok verminderen door een ontsnappingsdraad te bieden voor stroom.

Dit apparaat is voorzien van een snoer met een gearde draad met een gearde stekker. De stekker moet in een stopcontact worden gestoken dat goed geïnstalleerd en geaard is.

Raadpleeg een elektricien of onderhoudspersoon als de instructies voor het aarden niet geheel duidelijk zijn of als er twijfels zijn of het apparaat goed geaard is. Het gebruik van verlengsnoer is noodzakelijk, gebruik alleen een met 3 draden.

1. Een kort netsnoer is voorzien om risico's te verminderen voortkomend uit verwikkeling in of struikelen over een te lang snoer.

2. Wanneer een lang snoer net van verlengdraden wordt gebruikt:

1) De aangegeven elektrische schaal van de snoernet of het verlengsnoer moet minstens zo groot zijn als die van het apparaat.

2) Het verlengsnoer moet een gearde-type 3-dradig snoer zijn.

3) Het lange snoer moet zodanig geplaatst worden dat het niet over de rand van een tafel of toonbank waar kinderen per ongeluk aan kunnen trekken of erover struikelen.

SCHOONMAAK

Let op dat eerst het snoer uit het apparaat moet worden verwijderd.

1. Maak de ruimte van de oven na gebruik schoon met een beetje vochtige doek.
2. Maak de onderdelen normaal schoon in sopwater.
3. De deur frame en zegel en nabije onderdelen moeten voorzichtig met een vochtige doek worden schoongemaakt als ze vuil zijn.
4. Gebruik geen ruwe, schoonmaakmiddelen of scherpe metalen schrapers om het glas van het deurtje schoon te maken, omdat deze het oppervlak kunnen beschadigen, waardoor het glas kan breken.
5. Schoonmaak tip—Voor het eenvoudiger schoonmaken van de muurtjes dat het gekookt voedsel kan aanraken: Plaats een halve citroen in een schaal, voeg 300ml (1/2 pint) water toe en verwarm op 100% microwave voeding voor 10 minuten. Wrijf de oven schoon met een zachte,droge doek.

GEBRUIKSVORWERPEN WAARSCHUWING

Persoonlijke verwonding risico

Het is riskant voor ieder ander dan een bekwaam persoon om enig onderhoud of reparatie uit te voeren dat het verwijderen van een deksel inhoudt, die bescherming biedt tegen blootstelling aan microwave energie.

Zie de instructies in "Materialen die u in een microwave oven kunt gebruiken of die niet in een microwave oven gebruikt mogen worden."

Er kunnen bepaalde niet-metalen voorwerpen zijdnie niet veilig voor gebruik in een microwave zijn. Bij twijfel, kunt u het voorwerp testen met onderstaande procedure.

Gebruiksvoorwerp test:

1. Vul een microwave-bakje met 1 kop koud water (250ml) samen met het voorwerp.
2. Kook op maxium voeding voor 1 minuut.
3. Voel het voorwerp voorzichtig. Wanneer het lege voorwerp warm is, gebruik het dan niet voor microwave koken.

4. Kook niet langer dan 1 minuut.

Materialen die u in een microwave oven kunt gebruiken

Voorwerpen	Opmerkingen
Aluminum folie	Alleen verpakt. Kleine gladde deeltjes kunnen gebruikt worden om dunne stukjes vlees of gevolgte te bedekken om te voorkomen dat het gaar wordt. Vonken kunnen voorkomen als de folie te dicht bij de muren van de oven zit. De folie moet minstens 1 inch (2.5 cm) uit de buurt van de oven muren zitten.
Bruinen schotel	Volg instructies van de fabrikant. De bodem van de bruinen schotel moet minstens 3/16 inch (5 mm) boven de draaitafel liggen. De draaitafel kan breken bij onjuist gebruik.
Diner waren	Microwave-safe alleen. Volg de instructies van de fabrikant. Gebruik geen gebarsten of gesplinterde schotels.
Bekers van glas	Altijd het deksel verwijderen. Alleen gebruiken om eten alleen warm te laten worden. De meeste glazen bekens zijn niet hittebestendig en kunnen breken.
Glaswaar	Alleen oven hittebestendige glaswaar. Let op dat er geen metalen afdekking is. Geen gebarsten of gesplinterde schotels gebruiken.
Oven kookzakjes	Volg instructies van de fabrikant. Niet afsluiten met een metalen band. Maak openingen om stoom te laten ontsnappen.
Papieren schotels en kopjes	Alleen voor korte tijd koken/opwarmen. Laat de oven tijdens koken niet onbeheerd achter.
Papieren handdoekjes	Gebruik om voedsel af te dekken om opnieuw op te warmen en vet te absorberen. Met supervisie gebruiken en alleen voor een korte tijd.
Perkament papier	Als afdekking gebruiken om rondspatten te voorkomen of als omwikkeling voor stomen.
Plastic	Microwave-safe alleen. Volg de instructies van de fabrikant. Moet "Microwave Safe" gelabeld zijn. Sommige plastic verpakkingen worden vaak heet, omdat het voedsel binnenin heet wordt. "Kookzakjes" en stevig verpakte plastic zakjes moeten gesneden worden, geprikt of beetje geopend om stoom van de verpakking te laten ontsnappen.
Plastic huls	Microwave-safe alleen. Voor voedsel afdekken tijdens koken om vocht te behouden. Voorkom dat de plastic huls in aanraking komt met voedsel.
Thermometers	Microwave-safe alleen (vlees en snoep thermometers).
Was papier	Deksel gebruiken tegen rondspatten en om vocht te behouden.

Materialen niet geschikt voor microwave oven

Voorwerpen	Opmerkingen
Aluminum blad	Kan gaan vonken. Verplaats voedsel naar microwave-safe schotel.
Voedsel doos met metalen handvat	Kan gaan vonken. Verplaats voedsel naar microwave-safe schotel.
Metaal of metalen getrimde voorwerpen	Metaal beschermt voedsel tegen microwave energie. Een metalen afdekking kan gaan vonken.
Metalen draaiband	Kan gaan vonken en kan vuur veroorzaken in de oven.
Papieren zakjes	Kan een vuur in de oven veroorzaken
Schuimplastic	Schuimplastic kan smelten of de vloeistof binnenin doen contamineren wanneer blootgesteld aan een hoge temperatuur.
Hout	Hout zal opdrogen wanneer het gebruikt wordt in de microwave oven en kan splijten of barsten.

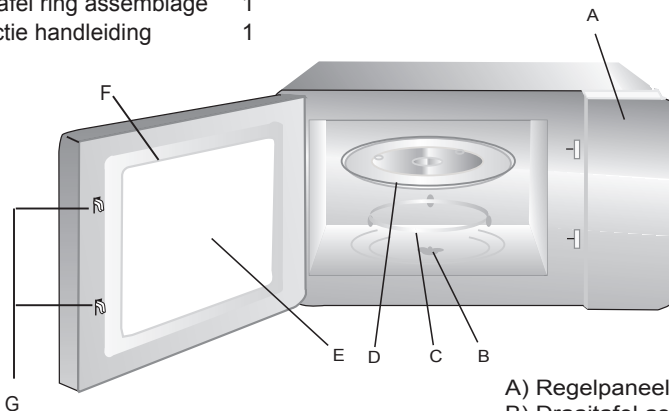
UW OVEN INSTELLEN

Namen van oven onderdelen en accessoires

Haal de oven en alle materialen uit de doos en oven ruimte.

Uw oven komt met de volgende accessoires:

Plateau van glas	1
Draaitafel ring assemblage	1
Instructie handleiding	1



Grillrek (Alleen in gebruik bij grill/convection functie en kan op glazen plateau gezet worden)

- A) Regelpaneel
- B) Draaitafel as
- C) Draaitafel ring assemblage
- D) Glazen plateau
- E) Observatievenster
- F) Door assemblage
- G) Veiligheid interlock systeem

Draaitafel monteren



- Zet het glazen plateau nooit ondersteboven. Het mag nooit worden begrensd.
- Het glazen plateau en draaitafel ring assemblage moeten allebei tijdens koken worden gebruikt.
- Al het voedsel en verpakkingen van voedsel moeten altijd op het glazen plateau voor koken worden gezet.
- Als het glazen plateau of de draaitafel ring assemblage barst of breekt, neem dan contact op met het dichtstbijzijnde geautoriseerde service centrum.

Aanrecht montage

Verwijder al het verpakkingsmateriaal en assecoires.
Onderzoek de oven op enige schade zoals deuken of gebroken deurtje. Monteer de oven niet als het is beschadigd.

Behuizing: Verwijder al het beschermingsfilm die gevonden wordt op het microwave oven behuizing oppervlak.

Verwijder niet de lichtbruine Mica bedekking die is aangebracht op de oven ruimte om de magnetron te beschermen.

Montage en aansluiting

1. Dit apparaat is alleen voor huishoudelijk gebruik bedoeld.
2. De oven is alleen voor ingebouwd gebruik bedoeld. Het is niet bedoeld voor aanrecht gebruik of voor gebruik in een kast.
3. Besteed aandacht aan de speciale monteer instructies.
4. Het apparaat kan geïnstalleerd worden in een 60cm brede muur bevestigde kast (minstens 55cm diep en 85cm van de vloer).
5. Het apparaat is uitgerust met een stekker en kan alleen aangesloten worden op een juist geaard stopcontact.
6. Het hoofdvoltage moet overeenkomen met het voltage dat is aangegeven op de schalingsplaat.
7. Het stopcontact moet gemonteerd worden en de aansluitingskabel mag alleen door een bekwaam electricien vervangen worden. Wanneer de stekker niet langer bruikbaar is na de installatie, moet een alle polen ontkoppelingsapparaat aanwezig zijn op de installatie plaats met een contact afstand van minstens 3mm.
8. Adapters, meer wegen strips en verlengings snoeren moeten niet gebruikt worden. Overlading kan een risico van vuur teweegbrengen.

Het bruikbare oppervlak kan tijdens de handelingen heet worden.



Montage Instructies

Neem de handleiding zorgvuldig door alvorens te monteren

Let op

Elektrische aansluiting

De oven is uitgerust met een stekker en moet alleen aangesloten worden op een juist gemonteerd en geaard stopcontact. Het contact mag alleen worden gemonteerd en de aansluitingskabel alleen vervangen door een bekwaam technicus en in overeenstemming met de geschikte regulaties.

Wanneer de stekker tijdens de montage niet meer bruikbaar is, moet een alle polen schakelaar aanwezig zijn op de monteerplaats met een contactafstand van minstens 3 mm. De geschikte ruimte kan geen muur achter het apparaat hebben.

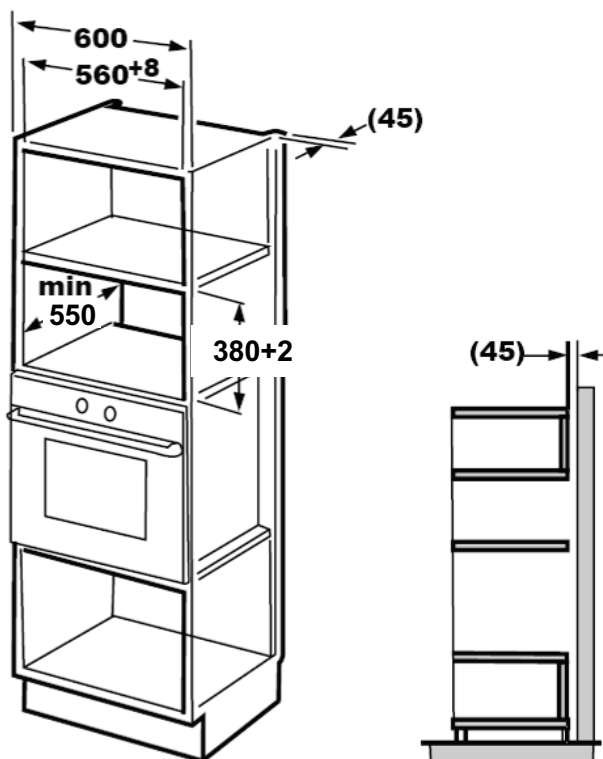
Minimum monteer hoogte: 85 cm.

Bedek geen ventilatiegleuven en zuiggaatjes.

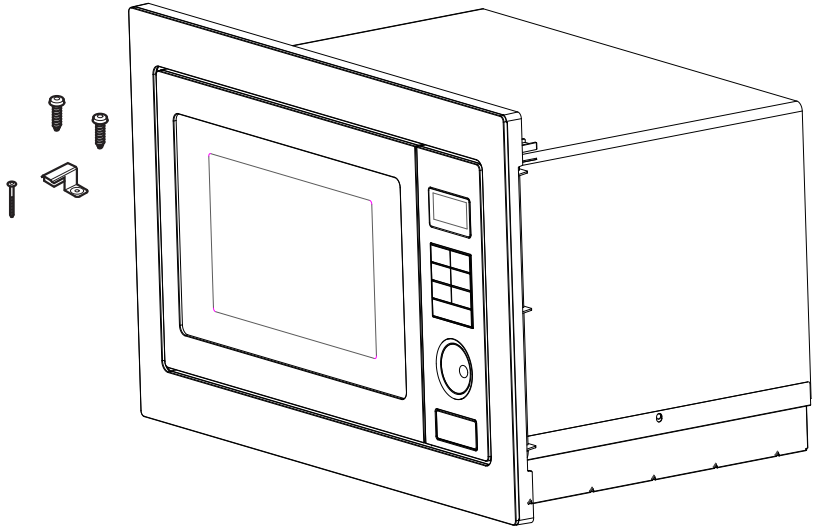
Opmerking:

Stap niet op of val niet over de netkabel.

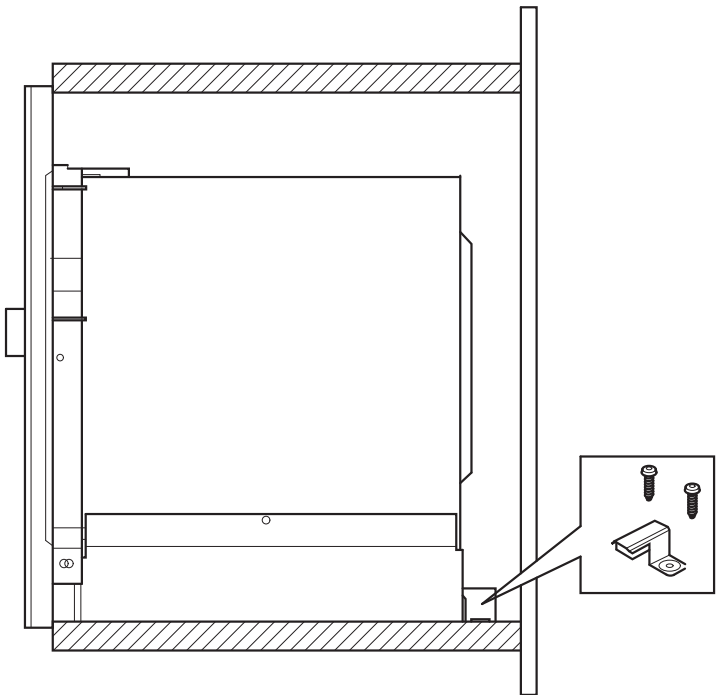
A. Ingebouwd meubelstuk



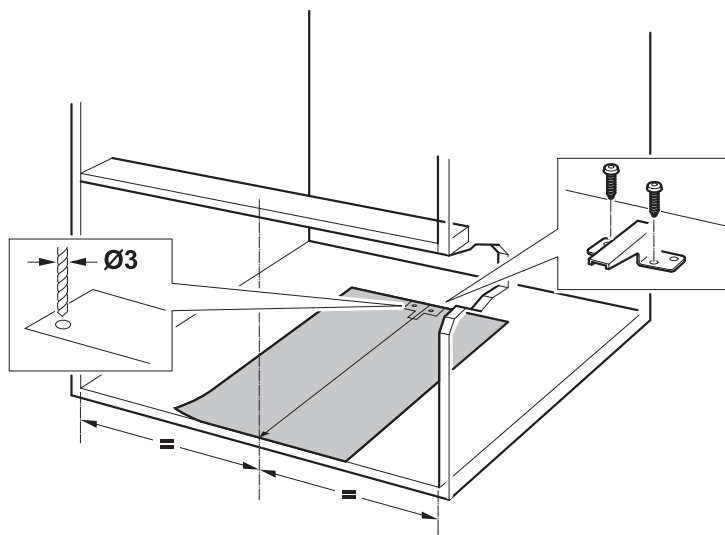
2.



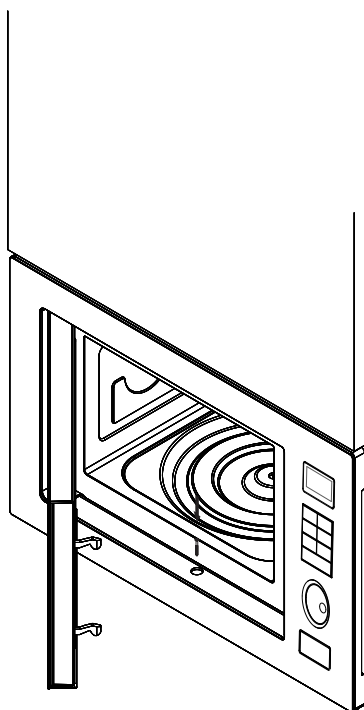
3.



4.



5.




BEDIENINGSINSTRUCTIES

Deze microwave oven gebruikt een moderne elektronische regeling om aan al uw kookbehoeften te voldoen.

1. Klok instellen

Wanneer de microwave oven is ingeschakeld, zal de oven "0:00" weergeven en de zoemer ringt eenmaal.

1) Druk op "**KEUKEN TIMER/KLOK**" tweemaal. "00:00" verschijnt.

2) Draai "  " om de uren af te stellen, de invoer tijd moet binnen 0--23(24-uur) zijn.

3) Druk op "**KEUKEN TIMER/KLOK**", de minuut cijfers beginnen te knipperen.

4) Draai "  " om de minuten in te stellen, de invoer tijd moet binnen 0—59 zijn.


5) Druk op "**KEUKEN TIMER/KLOK**" om de klok instelling af te ronden. ":" knippert nu.

Opmerking: 1) Als de klok niet is ingesteld, functioneert het niet wanneer het apparaat wordt aangezet.

2) Tijdens de instelling van de klok, als u drukt op "**STOP/WISSEN**", keert de oven automatisch terug naar de vorige stand.

2. Keuken Timer

(1) Druk eenmaal op "**KEUKEN TIMER/KLOK**", de LED geeft 00:00 weer.

(2) Draai "  " voor de correcte timer.(De maximale kooktijd is 95 minuten.)

(3) Druk op "**START/+30SEC./BEVESTIGEN**" om de instelling te bevestigen.


(4) Wanneer de keukentijd is bereikt, ringt de zoemer 5 maal.

Als de klok is ingesteld op een 24-uur systeem,geeft de LED de huidige tijd weer.

Opmerking: De keukentijd is anders dan het 24-uur systeem,de keuken timer is een timer.

3. Microwave koken

Druk op "**Microwave**" de LED geeft "P100" weer. Druk op "**Microwave**" vier maal om de voeding te kiezen die u wilt, en "P100", "P80" "P50", "P30" of "P10" wordt na elke keer meer indrukken weergegeven. Druk dan

"**START/+30SEC./BEVESTIGEN**" om te bevestigen en draai "  " om de kooktijd van 0:05 tot 95:00 in te stellen. Druk nog een keer op

"**START/+30SEC./BEVESTIGEN**" om te beginnen met koken.

Voorbeeld: Als u 80% microwave voeding wilt gebruiken om 20 minuten te koken, kunt u de oven met de volgende stappen bedienen:

1) Druk eenmaal op "**Microwave**", het scherm geeft "P100" weer.

2) Druk nog een keer op "**Microwave**" om 80% microwave voeding te kiezen.

3) Druk op "**START/ +30SEC./BEVESTIGEN**" om te bevestigen en het scherm geeft "P 80" weer.

4) Draai "  " om de kooktijd af te stellen totdat de oven "20:00" weergeeft.

5) Druk op "**START/ +30SEC./BEVESTIGEN**" om te beginnen met koken.

Opmerking: De stap hoeveelheden voor de afstelbare tijd van de code schakelaar zijn als volgt:

0---1 min : 5 seconden

1---5 min : 10 seconden

5---10 min : 30 seconden



10---30 min : 1 minuut

30---95 min : 5 minuten

Microwave voeding tabel

Drukken	Een keer	Twee keer	Drie keer	4 keer	5 keer
Microwave voeding	100%	80%	50%	30%	10%

4. Grill of Combi. koken

Druk op "**Grill/Combi.**" De LED geeft "G-1" weer, en druk op "**Grill/Combi.**" Vier keer of draai de "  " voor de voeding die u wilt en "G-1", "C-1", "C-2", "C-3" of "C-4" worden weergegeven, voor elke keer extra indrukken. Druk dan op "**START/ +30SEC./BEVESTIGEN**" om te bevestigen en draai "  " om de kooktijd in te stellen van 0:05 tot 95:00. Druk nog een keer op "**START/ +30SEC./BEVESTIGEN**" om te beginnen met koken.

Voorbeeld: Als u grill voeding wilt gebruiken om 10 minuten te koken, kunt u de oven bedienen met de volgende stappen:

1) Druk op "**Grill/Combi.**" eenmaal, het scherm toont nu "G-1".

2) Druk op "**START/ +30SEC./BEVESTIGEN**" om te bevestigen.

3) Draai "  " om de kooktijd in te stellen totdat de oven "10:00" weergeeft.

4) Druk op "**START/ +30SEC./BEVESTIGEN**" om te beginnen met koken.


Opmerking: Als half of de grilltijd gepasseerd is, is de oven tweemaal hoorbaar en dit is normaal. Voor een beter effect van gegrild voedsel, moet u het voedsel omdraaien, het deurtje sluiten en dan drukken op "**START/ +30SEC./BEVESTIGEN**" om door te gaan met koken. Als er geen handeling verricht wordt, blijft de oven werkzaam.

Opmerking: Combinaties instructies

Instructies	Display	Microwave	Grill	Convectie
1	C-1	●		●
2	C-2	●	●	
3	C-3		●	●
4	C-4	●	●	●

5. Convectie koken (Met voorverwarming functie)

Convectie koken kan u voedsel als een traditionele oven laten koken. De Microwave wordt niet gebruikt. Het is aanbevolen de oven voor te verwarmen tot de geschikte temperatuur voordat u de voeding in de oven plaatst.

- 1) Druk eenmaal de "**CONVECTIE**" toets, "130" knippert nu.
- 2) Blijf drukken op "**CONVECTIE**" of draai "  " om de convectie functie te selecteren.
Opmerking: de temperatuur kan gekozen worden uit 130 graden tot 220 graden.

3) Druk op "**START/+30SEC./BEVESTIGEN**" om de temperatuur te bevestigen.

4) Druk op "**START/+30SEC./BEVESTIGEN**" om de voorverwarming te starten. Wanneer de voorverwarmingstemperatuur is bereikt, is de zoemer tweemaal hoorbaar om u te herinneren de voeding in de oven te zetten. De voorgewarmde temperatuur wordt weergegeven en knippert.

5) Zet het voedsel in de oven en sluit het deurtje.
Draai "  " om de kooktijd af te stellen. (De maximum instelbare tijd is 95 minuten)

6) Druk op de "**START/+30SEC./BEVESTIGEN**" toets om te beginnen met koken.

Opmerking: a. Een kooktijd kan niet worden ingevoerd totdat de voorgewarmde temperatuur is bereikt.

Wanneer de temperatuur is bereikt, moet het deurtje worden geopend om de kooktijd in te stellen.

b. Als de tijd niet binnen 5 minuten is ingevoerd, stopt de oven met voorverwarmen. De zoemer is vijf maal hoorbaar en keert terug naar de wacht stand.

6. Convectie koken(Zonder voorverwarming functie)

- 1) Druk eenmaal op de "**CONVECTIE**" toets, "130" knippert nu.
- 2) Blijf drukken op "**CONVECTIE**" of draai "  " om de convectie functie te selecteren.
Opmerking: de temperatuur kan gekozen worden uit 130 graden tot 220 graden.

3) Druk op "**START/+30SEC./BEVESTIGEN**" om de temperatuur te bevestigen.

4) Draai "  " om de kooktijd af te stellen. (De maximale insteltijd is 95 minuten)



5) Druk op de "**START/+30SEC./BEVESTIGEN**" toets om te beginnen met koken.

7. Multi-fase koken

Twee fases kunnen maximaal ingesteld worden. Wanneer een fase ontdooit, moet het in de volgende fase gezet worden. De zoemer is eenmaal na elke fase hoorbaar en de volgende fase begint dan.

Opmerking: Automenu en voorverwarming kunnen niet als multi-fase worden ingesteld.

Voorbeeld: als u de voeding 5 minuten wilt ontdooien, kook dan met 80% microwave voeding voor 7 minuten. De stappen zijn als volgt:

- 1) Druk op "**GEWICHT/TIJD ONTDOOIE**" tweemaal, het scherm geeft "d-2" weer;
- 2) Draai "  " om de ontdooi tijd van 5 minuten af te stellen;
- 3) Druk eenmaal op "**MICROWAVE**";
- 4) Druk nogmaals op "**MICROWAVE**" om 80% microwave voeding tot "P80" weergeeft te kiezen;
- 5) Druk op "**START/+30SEC./BEVESTIGEN**" om te bevestigen;
- 6) Draai "  " om de kooktijd van 7 minuten af te stellen;
- 7) Druk op "**START/+30SEC./BEVESTIGEN**" om te beginnen met koken.

8. Versneld koken



- 1) In wachtstand, druk op de "**START/+30SEC./BEVESTIGEN**" toets om met 100% voeding niveau 30 seconden te koken. Elke druk op dezelfde toets kan het 30 seconden verhogen. De maximale kooktijd is 95 minuten.
- 2) Tijdens microwave, grill, convectie en combinative fases, druk op de "**START/+30SEC./BEVESTIGEN**" toets om te koken met 100% voeding voor 30 seconden. Elke druk op dezelfde toets kan het 30 seconden verhogen.

Opmerking: deze functie is niet werkzaam met ontdooien en automenu koken.

Automenu tabel

Menu	Gewicht	Weergave	Voeding
A1 Auto verwarmen	150 g	150	100%
	250 g	250	
	350 g	350	
	450 g	450	
	600 g	600	
A2 Aardappel	1 (circa 230g)	1	100%
	2 (circa 460g)	2	
	3 (circa 690g)	3	
A3 Vlees	150 g	150	100%
	300 g	300	
	450 g	450	
	600 g	600	
A4 Groente	150 g	150	100%
	350 g	350	
	500 g	500	
A5 Vis	150 g	150	80%
	250 g	250	
	350 g	350	
	450 g	450	
	650 g	650	
A6 Pasta	50 (met water 450ml)	50	80%
	100 (met water 800ml)	100	
	150 (met water 1200ml)	150	
A7 Soep	200 ml	200	100%
	400 ml	400	
	600 ml	600	
A8 Cake	475 g	475	Voorverwarmen op 180 graden
A9 PIZZA	200 g	200	C-4
	300 g	300	
	400 g	400	
A10 Kip	500 g	500	C-4
	750 g	750	
	1000 g	1000	
	1200 g	1200	

9. Automenu

- 1) In de wachtstand, draai "  " naar rechts om de gewilde functie te kiezen, en "A1", "A2", "A3".... "A10" worden weergegeven.
- 2) Druk op "**START/ +30SEC. /BEVESTIGEN**" om het menu te bevestigen dat u wilt.
- 3) Draai "  " om het gewicht van het menu te kiezen en de "g" indicatie licht op.
- 4) Druk op "**START/ +30SEC./BEVESTIGEN**" om te beginnen met koken.

Opmerking: Wanneer u een A8 cake kiest, zet de cake dan niet vanaf het begin in de oven. De oven moet eerst op 180 graden worden voorgewarmd. Na een paar minute is de zoemer tweemaal hoorbaar als herinnering dat u de cake in de oven moet zetten. Nadat de cake in de oven is gezet, druk dan nog een keer. De timer begint met aftellen en de cake wordt perfect gekookt.

10. Ontdooien bij gewicht


- 1) Druk eenmaal op "**GEWICHT/TIJD ONTDOOIE**N", de oven geeft "d-1" weer.

- 2) Draai "  " om het gewicht van het voedsel te selecteren. Tegelijkertijd licht, "g" op, het gewicht moet 100-2000g zijn.

- 3) Druk op de "**START/+30SEC./BEVESTIGEN**" toets om te beginnen met ontdooien.

11. Ontdooien met tijd

- 1) Druk tweemaal op "**GEWICHT/TIJD ONTDOOIE**N", de oven geeft "d-2" weer.

- 2) Draai "  " om de kooktijd te selecteren. De maximaal instelbare tijd is 95 minuten.

- 3) Druk op de "**START/+30SEC./BEVESTIGEN**" toets om te beginnen met ontdooien.

12. Informeren functie

- (1) Tijdens het koken, druk op "**KEUKEN TIMER/KLOK**" om de huidige tijd na te gaan Het wordt 2-3 seconden weergegeven.
- (2) Tijdens het koken, druk op "**MICROWAVE**", "**GRILL/ COMBI.**" of "**CONVECTIE**", de huidige voeding wordt 2-3 seconden weergegeven.

13 Kinderslot

Vergrendeld: In wachtstand, druk op "**STOP/WISSEN**" voor 3 seconden, er zal een lange "piep" hoorbaar zijn, aangevend dat het in de kinderslot stand gaat en de "**☒**" indicatie licht op. De LED geeft de huidige tijd weer of 0:00.

Open: In de vergrendelde stand, druk op "**STOP/WISSEN**" voor 3 seconden, er zal een lange "piep" hoorbaar zijn, aangevend dat de vergrendeling is opgeheven en de "**☒**" indicatie is nu zichtbaar.

14. Specificaties

- (1) De zoemer is eenmaal hoorbaar wanneer de knop in het begin wordt gedraaid.
- (2) "**START/+30 SEC./BEVESTIGEN**" moet ingedrukt worden om door te gaan met koken als het deurtje tijdens koken is geopend.
- (3) Als de kook programmeerder is ingesteld , mag "**START/+30 SEC./BEVESTIGEN**" niet binnen 5 minuten worden ingedrukt. De huidige tijd wordt weergegeven. De instelling wordt geannuleerd.
- (4) De zoemer is eenmaal hoorbaar na efficiënt indrukken, niet efficiënt indrukken geeft geen response.
- (5) De zoemer is vijf maal hoorbaar om u te herinneren wanneer het koken is voltooid.

Problemen oplossen

Normaal	
Microwave oven storing tv ontvangst	Radio en tv ontvangst kan tijdens gebruik van de microwave oven worden gestoord. Het is vergelijkbaar met de storing van kleine, elektrische apparaten, zoals, mixer, stofzuiger en elektrische ventilator. Dit is normaal.
Gedimd oven licht	Tijdens lage voeding koken, wordt het ovenlicht misschien gedimd. Dit is normaal.
Stoom verzamelt zich op deurtje, hete lucht komt uit de openingen	Tijdens koken, kan stoom uit het voedsel komen. Het meeste komt uit de openingen. Maar een beetje kan zich verzamelen op het ovendeurtje. Dit is normaal.
Oven start per ongeluk zonder voedsel erin	Gebruik van de oven zonder voedsel erin is niet toegestaan. Dit is gevaarlijk.

Probleem	Mogelijke oorzaak	Oplossing
Oven kan niet opstarten	(1) Netsnoer niet goed ingestoken.	Verwijderen. Na 10 seconden opnieuw insteken.
	(2) Zekering gesprongen of stroombreker is werkzaam.	Vervang zekering of reset stroombreker. (gerepareerd door professioneel personeel van ons bedrijf)
	(3) Probleem met contactdoos.	Test contactdoos met andere elektrische apparaten.
Oven warmt niet op	(4) Deurtje niet goed gesloten.	Sluit het deurtje goed.
Glazen draaitafel maakt lawaai wanneer de microwave oven werkzaam is	(5) Vieze restanten op de roller en bodem van de oven.	Raadpleeg "Onderhoud van microwave" om vuile onderdelen schoon te maken.



Volgens de Waste of Electrical and Electronic Equipment (WEEE) richtlijn, moet WEEE gescheiden worden verzameld en behandeld. Als u wanneer dan ook in de toekomst dit product moet weggooien, gooi dit apparaat dan NIET samen met huishoudelijk afval weg. Breng dit product naar WEEE verzamelpunten waar ze aanwezig zijn.

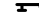
طبيعي	
تداخل الميكرويف مع استقبال الكمبيوتر ، وهو مشابه ل تدخل الأجهزة الكهربائية الصغيرة ، مثل الخلاط ،المكنسة الكهربائية ، والمروحة الكهربائية. وهذا أمر طبيعي.	
خفوت ضوء الفرن	عند الطهي بطاقة منخفضة فان ضوء الفرن سيكون خافتا الى حد ما وهذا طبيعي.
البخار المتراكم على الباب، و الهواء الساخن من الفتحات	اثناء الطبخ ، قد يخرج البخار من المواد الغذائية. معظم البخار سوف يخرج من الفتحات. ولكن البعض قد يتراكم على مكان بارد مثل باب الفرن. وهذا أمر طبيعي.
تشغيل الفرن بالخطأ مع عدم وجود اي طعام فيه	يمنع تشغيل الفرن مع عدم وجود اي طعام فيه وهذا امر خطير للغاية.


الخطأ	السبب المتوقع	طريقة الإصلاح
لا يمكن تشغيل الفرن	لم يتم توصيل التيار بالحكام	قم بفصل وإعادة توصيل بعد عشر دقائق.
	حدث قطع للفيوز او قاطع الدائرة الكهربائية يعمل	استبدال الفيوز أو إعادة تعيين قواطع دوائر إصلاح من قبل الموظفين الفنيين من الشركة لدينا)
	خطأ في مأخذ الطاقة الكهربائية	افحص مأخذ التيار باستخدام جهاز كهربائي اخر.
لا يمكن تسخين الفرن	لم يتم غلق الباب جيداً	اغلق الباب جيداً
الطبق الزجاجي الدوار يصدر صوتاً عند تشغيل الفرن	ترسب اوساخ على البكرة وفي قاع الفرن.	ارجع الى "اصلاحات الميكرويف" لتنظيف الاجزاء المتسخة.

وفقاً لتوجيه نفايات المعدات الكهربائية والإلكترونية (WEEE) ينبغي جمعها بشكل منفصل وعلاجها. إذا كان في أي وقت في المستقبل تحتاج إلى التخلص من هذا المنتج يرجى عدم التخلص من هذا المنتج مع النفايات المنزلية . الرجاء إرسال هذا المنتج إلى نقاط WEEE لجمع النفايات.



13. قفل الاطفال



قفل: في حالة انتظار، اضغط على " إيقاف / مسح " لمدة 3 ثوان، وسوف يكون تصدر الزمارة "صوتاً" لفترة طويلة " زمارة" تدل على الدخول في حالة قفل الاطفال وسوف يضيئ المؤشر الضوئي "  " .سوف يظهر على الشاشة IED الوقت الحالي أو 00:00.

فتح: في حالة القفل، اضغط على " إيقاف / مسح " لمدة 3 ثوان، وسوف يكون هناك "زمارة " لفترة طويلة تدل على أن قفل يتم تحريرها، و سوف تخفئ مؤشر "  " .

14. مواصفات


- 1) يصدر الجرس الصوت مرة واحدة عندما تحول مقبض الباب في البداية.
- 2) يجب الضغط على "ابدا/30+ ثانية/تأكيد" يجب أن يكون الضغط على مواصلة الطهي إذا كان الباب مفتوحاً أثناء الطهي.
- 3) عن تعيين البرنامج للطهي لمرة واحدة. إذا لم يتم الضغط على "ابدا/30+ ثانية/تأكيد" خلال 5 دقائق. سوف يظهر الوقت الحالي. وسيتم الغاء الضبط.
- 4) يصدر الجرس الصوت مرة واحدة عند فعالية الضغط، ولن يحدث اي رد عند عدم فعالية الضغط.
- 5) يصدر الجرس الصوت خمس مرات لتذكيرك عندما يتم الانتهاء من الطهي.

9. القائمة التلقائية


- 1) في حالة انتظار، قم بلف "  " إلى اليمين لاختيار الوظيفة المطلوبة، وسيتم عرض "A1"، "A2"، "A3".... "A10"
- 2) اضغط "أبدا/+30 ثانية/تأكيد" لتأكيد القائمة التي أنت بحاجة إليها.
- 3) قم بلف "  " لاختيار الوزن من القائمة، وسيضئ مؤشر الجرامات "جرام".
- 4) اضغط "أبدا/+30 ثانية/تأكيد" لبدء الطهي.

ملاحظة: عند اختيارك A8 كيك، يُرجى عدم وضع الكيك في الفرن في البداية. يحتاج الفرن للتسخين المُسبق أولاً حتى درجة 180. بعد عدة دقائق، سيرن الطنان مرتين لتذكيرك بوضع الكيك في الفرن. بعد وضع الكيك في الفرن، الرجاء الضغط أبداً مرة أخرى. سيعد المؤقت تنازلياً، وسيتم طهي الكيك بصورة كاملة.

10. إذابة الثلج بالوزن

- 1) اضغط "وزن/وقت التذويب" لمرة واحدة، سيرعرض الفرن "d-1".
- 2) قم بلف "  " لتحديد وزن الطعام. في نفس الوقت، سيضئ مؤشر الجرامات، ينبغي أن يكون الوزن 100-2000 جرام.
- 3) اضغط مفتاح "أبدا/+30 ثانية/تأكيد" لبدء إذابة الثلج.

11. إذابة الثلج بالوقت

- 1) اضغط مفتاح "وزن/وقت التذويب" مرتين، سيرعرض الفرن "d-2".
- 2) قم بلف "  " لتحديد وقت الطهي. الحد الأقصى لوقت الإعداد 95 دقيقة.
- 3) اضغط مفتاح "أبدا/+30 ثانية/تأكيد" لبدء إذابة الثلج.

12. وظيفة الاستفسار

- 1) أثناء حالة الطهي، اضغط "ساعة/مؤقت الطهي" للتحقق من الوقت الحالي. سيتم العرض من 2-3 ثوان.
- 2) في حالة الطهي، اضغط "مايكروويف"، "شوي/توليف" أو "حراري"، سيتم عرض الطاقة الحالية لمدة 2-3 ثوان.

طاقة	عرض	الوزن	قائمة
%100	150	150 جرام	A1 تسخين تلقائي
	250	250 جرام	
	350	350 جرام	
	450	450 جرام	
	600	600 جرام	
%100	1	1 (حوالي 230 جرام)	A2 بطاطا
	2	2 (حوالي 460 جرام)	
	3	3 (حوالي 690 جرام)	
%100	150	150 جرام	A3 لحم
	300	300 جرام	
	450	450 جرام	
	600	600 جرام	
%100	150	150 جرام	A4 خضروات
	350	350 جرام	
	500	500 جرام	
%80	150	150 جرام	A5 سمك
	250	250 جرام	
	350	350 جرام	
	450	450 جرام	
	650	650 جرام	
%80	50	50 (مع ماء 450 ملي لتر)	A6 مكرونات
	100	100 (مع ماء 800 ملي لتر)	
	150	150 (مع ماء 1200 ملي لتر)	
%100	200	200 ملي لتر	A7 شوربات
	400	400 ملي لتر	
	600	600 ملي لتر	
التسخين المسبق عند 180 درجة	475	475 ملم	A8 كيك
C-4	200	200 ملم	A9 بيتزا
	300	300 ملم	
	400	400 جرام	
C-4	500	500 جرام	A10 دجاج
	750	750 جرام	
	1000	1000 جرام	
	1200	1200 جرام	

6. الطبخ الحراري (بدون وظيفة التسخين المسبق)

- 1) اضغط مفتاح "حراري" مرة واحدة، سيومض "130".
- 2) استمر في الضغط على "حراري" أو قم بلف " " لتحديد وظيفة الطهي الحراري. ملاحظة: يمكن اختيار درجة الحرارة من 130 درجة إلى 220 درجة.

3) اضغط "أبدأ/+30 ثانية/تأكيد" لتأكيد درجة الحرارة.

4) قم بلف " " لضبط وقت الطهي. (الحد الأقصى لوقت الإعداد 95 دقيقة).

5) اضغط "أبدأ/+30 ثانية/تأكيد" لبدء الطهي.

7. الطهي متعدد المراحل

يمكن تعيين مرحلتين بحد أقصى. إذا كانت واحدة من هذه المراحل هي إذابة الثلج، يجب وضع الطعام على المرحلة الأولى. سيرن الطنان مرة واحدة بعد كل مرحلة، وسوف تبدأ المرحلة القادمة.

ملاحظة: لا يمكن ضبط القائمة التلقائية والتسخين المسبق كواحدة من المراحل المتعددة.

مثال: إذا كنت ترغب في إذابة المواد الغذائية لمدة 5 دقائق، ثم الطهي بطاقة مايكروويف تبلغ 80% لمدة 7 دقائق. ستكون الخطوات على النحو التالي:

- 1) اضغط مرتين "وزن/وقت التدوير" ستعرض الشاشة "d-2"
- 2) قم بلف " " لضبط وقت التدوير لمدة 5 دقائق؛
- 3) اضغط على "المايكروويف" مرة واحدة؛
- 4) اضغط على "المايكروويف" لاختيار 80% من طاقة المايكروويف حتى يتم عرض "P80"
- 5) اضغط "أبدأ/+30 ثانية/تأكيد" للتأكيد.
- 6) اضغط " " لضبط وقت الطهي 7 دقائق؛
- 7) اضغط "أبدأ/+30 ثانية/تأكيد" لبدء الطهي.

8. تسريع الطهي

- 1) في حالة انتظار، اضغط مفتاح "أبدأ/+30 ثانية/تأكيد" لطهي الطعام بمستوى طاقة 100% لمدة 30 ثانية. ويمكن أن تزيد 30 ثانية في كل ضغط على نفس المفتاح. الحد الأقصى لوقت الطهي 95 دقيقة.
 - 2) اضغط مفتاح "أبدأ/+30 ثانية/تأكيد" للطهي بمستوى طاقة 100% لمدة 30 ثانية أثناء حالات الطهي في المايكروويف، الشوي، الطهي الحراري والتوليف.
- ويمكن أن تزيد 30 ثانية في كل ضغط على نفس المفتاح.

ملاحظة: لا يمكن لهذه الوظيفة أن تعمل في ظل الطهي بإذابة الثلج والقائمة التلقائية.

تعليمات	عرض	مايكروويف	شواء	الانتقال الحراري
1	C-1	●		●
2	C-2	●	●	
3	C-3		●	●
4	C-4	●	●	●

5. الطهي الحراري (مع وظيفة التسخين المُسبق)

يمكنك الطهي الحراري بان تطهو الطعام كفرن تقليدي. لا يتم استخدام المايكروويف. من المُستحسن أن يجب عليك تسخين الفرن مُسبقًا حتى يصل لدرجة حرارة مُناسبة قبل وضع الطعام في الفرن.

(1) اضغط مفتاح "حراري" مرة واحدة، سيومض "130".

(2) استمر في الضغط على "حراري" أو قم بلف " " لتحديد وظيفة الطهي الحراري.

ملاحظة: يمكن اختيار درجة الحرارة من 130 درجة إلى 220 درجة.

(3) اضغط "أبدأ/30+ثانية/تأكيد" لتأكيد درجة الحرارة.

(4) اضغط "أبدأ/30+ثانية/تأكيد" لبدء التسخين المُسبق. عند بلوغ درجة حرارة التسخين مُسبقة الضبط، سيرن الطنان مرتين لتذكيرك بوضع الطعام في الفرن. وسيتم عرض و ميمض درجة حرارة التسخين مُسبقة الضبط.

(5) وضع الطعام في الفرن واغلق الباب.

قم بلف " " لضبط وقت الطهي. (الحد الأقصى لوقت الإعداد 95 دقيقة).

(6) اضغط "أبدأ/30+ثانية/تأكيد" لبدء الطهي.

ملاحظة: لا يمكن إدخال وقت الطهي حتى يتم الوصول إلى درجة حرارة التسخين المُسبق.


إذا تم بلوغ درجة الحرارة، يجب أن يكون الباب مفتوحًا لوضع وقت الطهي.

ب. إذا لم يتم إدخال الوقت خلال 5 دقائق، سيوقف الفرن عملية التسخين المُسبق. سيرن الطنان خمس مرات ويتحول مرة أخرى إلى حالات الانتظار.

1) اضغط "مايكروويف" مرة واحدة، ستعرض الشاشة "P100".

2) اضغط "مايكروويف" مرة أخرى لاختيار 80% من الطاقة الميكروويف.

3) اضغط "أبدأ/+30 ثانية/تأكيد" للتأكيد، وستعرض الشاشة: "P 80".

4) قم بلف "  " لضبط وقت الطهي حتى يعرض الفرن "20:00".

5) اضغط "أبدأ/+30 ثانية/تأكيد" لبدء الطهي.

ملاحظة: الفترات الزمنية لضبط توقيت مفتاح الترميز هي كما يلي:

0 --- 1 دقيقة : 5 ثوان

1---5 دقائق : 10 ثوان

5---10 دقائق : 30 ثانية



10 --- 30 دقيقة : 1 دقيقة

30 --- 95 دقيقة : 5 دقائق

مخطط طاقة المايكروويف

اضغط	مرة واحدة	مرتين	ثلاث مرات	4 مرات	5 مرات
طاقة المايكروويف	100%	80%	50%	30%	10%


4. شواء أو توليف. طهي

اضغط "شواء/توليف" سيرعرض المصباح الضوئي "G-1"، واضغط "شواء/توليف" لعدة مرات أو قم بلف "  " لاختيار الطاقة التي تريدها، وستعرض الشاشة القيم التالية لكل ضغطه مضافة "G-1"، "C-1"، "C-2"، "C-3"، "C-4"، أو "C-4". ثم اضغط "أبدأ/+30 ثانية/تأكيد" للتأكيد، وقم بلف "  " لتعيين وقت الطهي من (0:05) إلى (95:00). اضغط "أبدأ/+30 ثانية/تأكيد" مرة أخرى لبدء الطهي.

مثال: إذا كنت ترغب في استخدام طاقة شوي للطهي لمدة 10 دقائق، يمكنك تشغيل الفرن بحسب الخطوات التالية.

1) اضغط شواء/توليف" مرة واحدة، ستعرض الشاشة "G-1"

2) اضغط "أبدأ/+30 ثانية/تأكيد" للتأكيد.

3) قم بلف "  " لضبط وقت الطهي حتى يعرض الفرن "10:00 ص".

4) اضغط "أبدأ/+30 ثانية/تأكيد" لبدء الطهي.

ملاحظ: إذا مر نصف وقت الشواء، سيصدر الفرن صوتًا مرتين، وهذا يعد أمرًا طبيعيًا. ينبغي عليك تقليب الطعام من أجل الحصول على تأثير أفضل للطعام المشوي، قم بغلق الباب، ثم اضغط "أبدأ/+30 ثانية/تأكيد" لمواصلة الطهي.

إذ لم يتم إجراء أيه عملية، سيواصل الفرن العمل.


تعليمات التشغيل

يستخدم فرن المايكروويف هذا وحدة تحكم إلكترونية حديثة لضبط معاملات الطهي لتلبية احتياجاتكم للطهي بشكل أفضل.


1. إعداد الساعة

عندما يتم تزويد المايكروويف بالطاقة الكهربائية، فإن الفرن سيعرض "0:00"، وسيبرن الطنان لمرة واحدة.

(1) اضغط على "مؤقت الطهي/ساعة" مرتين، سيعرض المصباح الضوئي (00:00)

(2) قم بلف المؤقت "  لضبط أرقام الساعات، وينبغي أن يكون الوقت خلال (0-23) 24 ساعة.

(3) اضغط على "مؤقت الطهي/ساعة"، حتى تومض أرقام الدقائق.

(4) قم بلف المؤقت "  لضبط أرقام الدقائق، وينبغي أن يكون الوقت المُدخل خلال 0-59.

(5) اضغط على "مؤقت الطهي/ساعة" لإنهاء إعداد الساعة. سيومض ":-".


ملاحظة

(1) إذا لم يتم ضبط الساعة، فإنها لن تعمل عند تشغيله.

(2) خلال عملية إعداد الساعة، إذا قمت بالضغط على "إيقاف/مسح"، سيعود الفرن إلى الوضع السابق تلقائياً.

2. مؤقت المطبخ

(1) اضغط على "مؤقت الطهي/ساعة" مرة واحدة. ستعرض الشاشة "00:00".

(2) قم بلف "  لإدخال مقياس الوقت الصحيح. (الحد الأقصى لوقت الطهي 95 دقيقة)


(3) اضغط "أبدأ/30 ثانية/تأكيد" لتأكيد الإعداد.

(4) عند الوصول لوقت الطهي، سيرن الطنان 5 مرات.

إذا تم ضبط الساعة بنظام (24 ساعة)، سيعرض المصباح الضوئي الوقت الحالي.

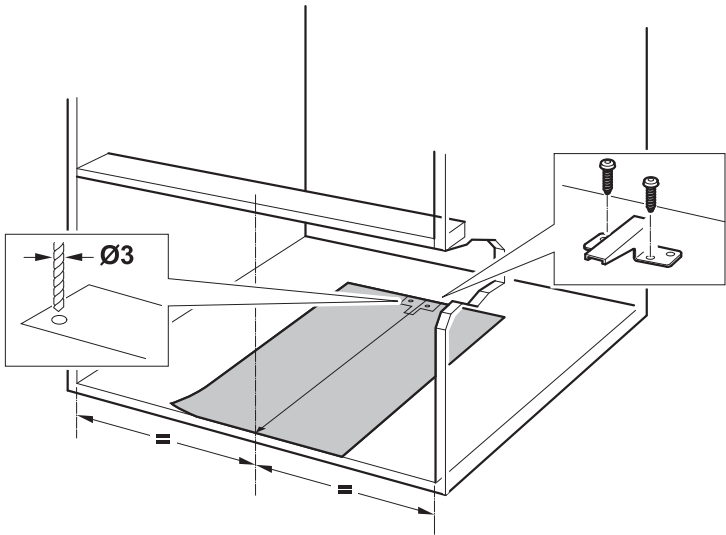
ملاحظة تختلف ساعة المطبخ عن نظام (24 ساعة)، حيث أن مؤقت المطبخ ما هو إلا مؤقت.

3. الطهي باستخدام المايكروويف

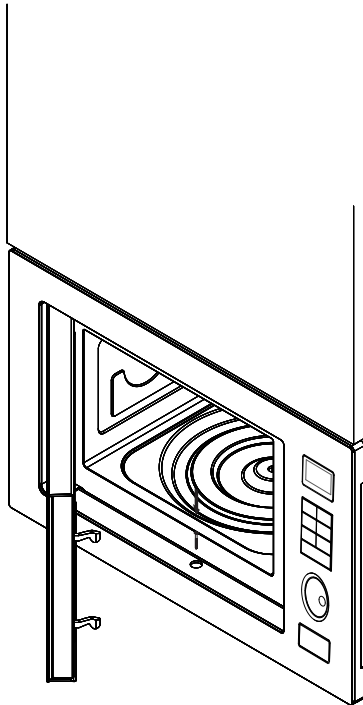
اضغط مايكروويف وسيعرض المصباح الضوئي "P100". اضغط مايكروويف لعدة مرات لاختيار الطاقة التي تريدها، و "P100"، "P80"، "P50" "P30" أو "P10" سوف تعرض لكل ضغطة مُضافة. ثم اضغط "أبدأ/30 ثانية/تأكيد" للتأكيد، وقم بلف "  لتعيين وقت الطهي من (0:05) إلى (95:00). اضغط "أبدأ/30 ثانية/تأكيد" مرة أخرى لبدء الطهي.

مثال: إذا كنت ترغب في استخدام 80٪ من طاقة المايكروويف للطهي لمدة 20 دقيقة، يمكنك تشغيل الفرن بحسب الخطوات التالية.

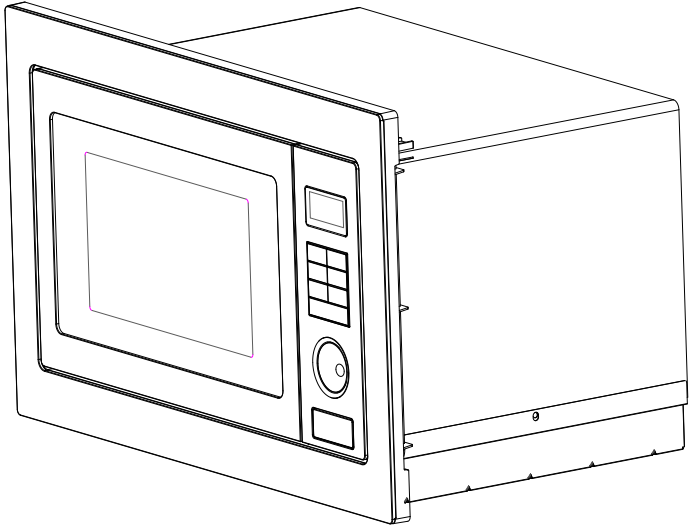
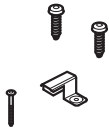
4.



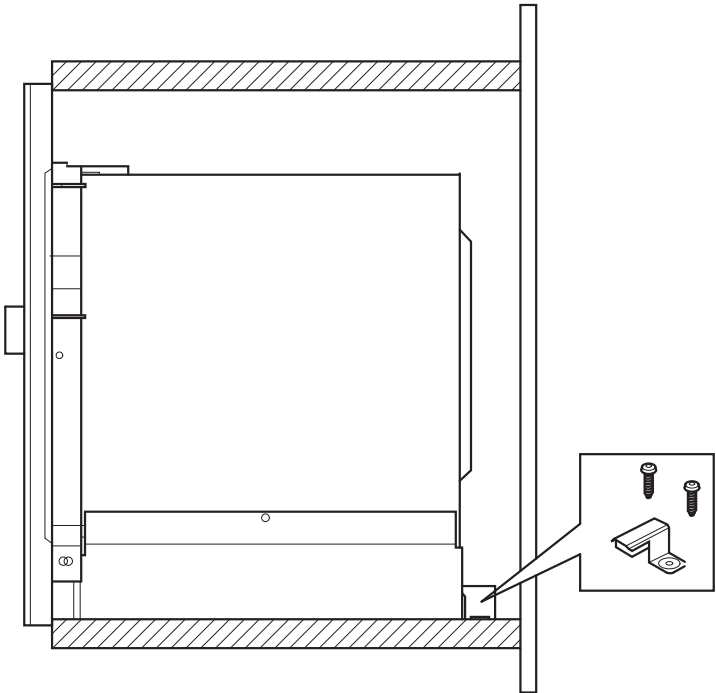
5.



2.



3.



تعليمات التثبيت

يرجى قراءة الدليل بعناية قبل التثبيت

يرجى ملاحظة

الربط الكهربائي

تم تجهيز الفرن مع المكونات ويجب فقط أن تكون متصلا بماخذ مثبت بشكل صحيح في الارض. يجب أن يتم تثبيت المقبس واستبدال الكابل الذي يربط فقط بواسطة كهربائي مؤهل، و وفقا للأنظمة المناسبة.

إذا المكونات لم يعد إلى الوصول التثبيت التالية، يجب وجود جهاز فصل على كل قطب على الجانب التثبيت مع وجود فجوة الاتصال من على الأقل 3ملم.

الكابينة المجهزة يجب ألا يكون لها جدار خلفي وراء الجهاز.

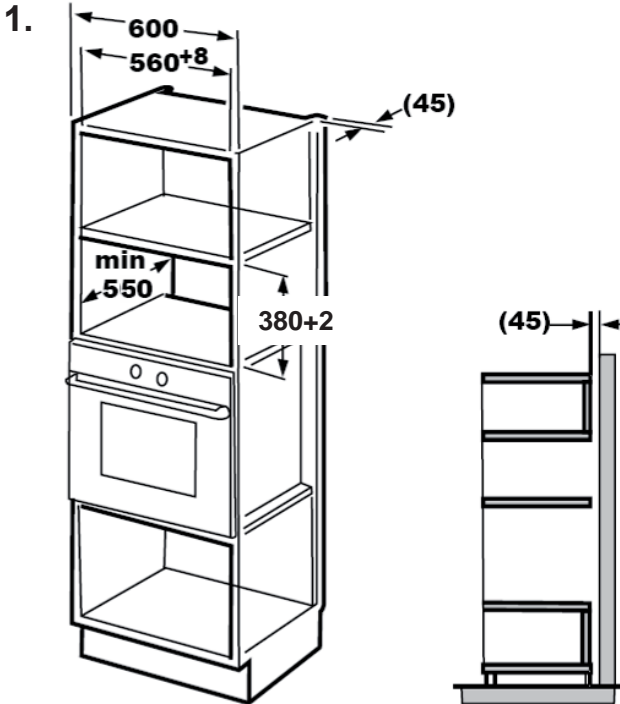
ارتفاع الحد الأدنى التركيب: 85 سم.

لا تغطي فتحات التهوية وفتحات الشفط.

ملاحظة:

لا اتحصر أو تثني كابل الطاقة

أ. الأثاث المدمج



التركيب والاتصال

1. ويهدف هذا الجهاز فقط للاستخدام المنزلي.
2. هذا الفرن معد للاستخدام المدمج فقط. وليس معد لاستخدامه على منضدة المطبخ او داخل خزانة.
3. يرجى مراعاة إرشادات التثبيت الخاصة.
4. ويمكن تركيب الجهاز في جدار خزانة ذات جدار واسع 60سم (على الأقل عميق 85 سم و55سم بعيداً عن الأرضية).
5. يتم تركيب جهاز مع المكونات ويجب فقط أن تكون متصلاً مأخذاً مثبتة بشكل صحيح في الارض.
6. جهد التيار الكهربائي يجب أن يتوافق مع الجهد المحدد في لوحة التقييم.
7. يجب تثبيت المقبس ويجب أن يتم استبدال كابل توصيل فقط بواسطة كهربائي مؤهل. إذا المكونات لم يعد إلى الوصول التثبيت التالية، يجب وجود جهاز فصل على كل قطب على الجانب التثبيت مع وجود فجوة الاتصال من على الأقل 3سم.
8. يجب عدم استخدام المحولات، وشرائط متعددة الطريقة والتمديد. الحمولة الزائدة يمكن أن يؤدي إلى مخاطر نشوب حريق.



قد يكون السطح المقابل الساخنة خلال العملية.

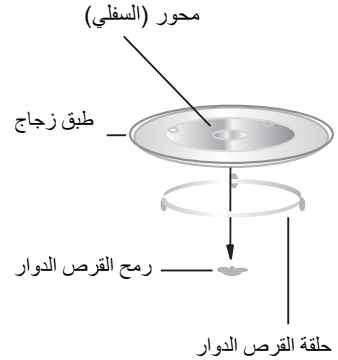
تركيب القرص الدوار

أ. لا تقم بقلب طبق الزجاج رأساً على عقب. لا ينبغي أبداً أن يقتصر علبة زجاجية.

ب. طبق الزجاج وحلقة القرص الدوار المجمع يجب دائماً أن تستخدم أثناء الطهي.

ت. جميع المواد الغذائية والأواني من المواد الغذائية يتم وضعها دائماً على الطبق الزجاجي للطهي.

ث. إذا كان الطبق الزجاج أو حلقة القرص الدوار المجمع بهما الشقوق أو تالفان، الاتصال بأقرب مركز خدمة معتمد لديك.



تركيب منضدة المطبخ

الكابينة: إزالة أي غطاء واقٍ وجد على سطح كنبينة المايكرويف.
لا تقم بإزالة الغطاء البني الفاتح ميكا التي يتم تركيبها على تجويف الفرن للحماية المغناطيسية.

إزالة كافة مواد التعبئة والتعليق والاكسسوارات.
التأكد من خلو الفرن من ضرر مثل الخدوش أو كسر الباب.
لا تقم بتنظيف إذا كان الفرن تالف.

المواد التي يمكن استخدامها في المايكرويف

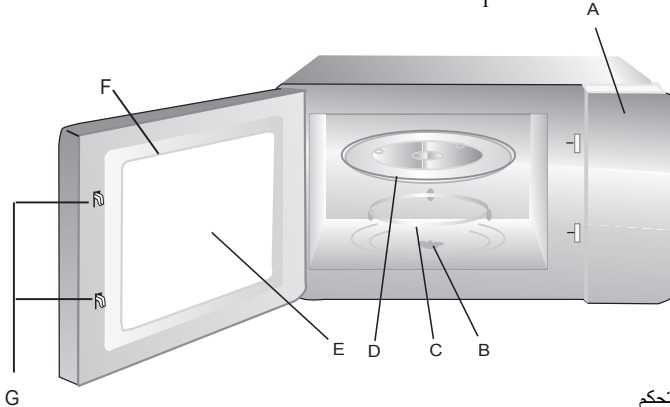
ملاحظات	الأواني
قد يحدث إنحناء. نقل الغذاء إلى طبق آمنة للميكرويف	طبق الألمنيوم
قد يحدث إنحناء. نقل الغذاء إلى طبق آمنة للميكرويف	كرتوم طعام مع مقبض معدني
الدروع المعدنية والغذائية من طاقة الميكرويف. الزخرفة المعدنية قد تسبب الانحناء.	الأواني المعدنية والمزخرفة بالمعادن
قد تتسبب الربطات المعدنية القابلة لللف للانحناء وحدوث حريق في الفرن.	الربطات المعدنية القابلة لللف
قد تسبب حدوث حريق	أكياس الورق
قد تذوب و تلوث السائل عند تعريضه لدرجات الحرارة العالية	المواد المصنوعة من الرغوة البلاستيكية
خشب تجف عند استخدامها في المايكرويف ، وربما تنقسم او تتصدع.	الخشب

تركيب الفرن

أسماء أجزاء الفرن واكسسوارات

إزال الفرن وجميع المواد من الكرتون وتجفيف الفرن.
الفرن الخاص بك يأتي مع الملحقات التالية:

- 1 علبه زجاج
- 1 حلقة القرص الدوار الجمعة
- 1 كتيب التعليمات



أ. لوحة التحكم

ب. رمح الدوار

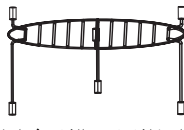
ت. حلقة القرص الدوار المجمع

ث. علبه زجاج

ج. نافذة المراقبة

ح. الباب المجمع

خ. نظام التعشيق سلامة



رف الشواء (لا تستخدم إلا في شواء / اللحم
الحراري و توضع على صينية الزجاج)

الأواني تحذير

الخطر الإصابة الشخصية

من الخطورة لأي شخص آخر غير الشخص المختص للقيام بأي خدمة أو عملية إصلاح تنطوي على إزالة الغطاء الذي يعطي حماية ضد التعرض لطاقة الميكروويف.

اطلع على تعليمات حول " المواد التي يمكن استخدامها في المايكرويف أو التي ينبغي تجنبها في المايكرويف ". قد يكون هناك بعض الأواني غير المعدنية التي ليست آمنة للاستخدام في الفرن. إذا كنت في شك، يمكنك اختبار إنباء باتباع الإجراء أدناه.

اختبار الإنباء:

1. أملئ وعاء الميكروويف آمنة بكوب 1 من الماء البارد (250 ملتر) جنباً إلى جنب مع إنباء المراد اختباره.
2. بطهي على الطاقة القصوى لمدة 1 دقيقة.
3. افحص بعناية درجة حرارة الإنباء. إذا كان الإنباء الفارغ دافئاً، فانه لا يستخدم لأغراض الطهي بالميكروويف.
4. لا يتجاوز وقت الطهي 1 دقيقة.

المواد التي يمكن استخدامها في المايكرويف

الأواني	ملاحظات
رقائق الألومنيوم	للتغليف فقط . قطعة ناعمة صغيرة يمكن استخدامها لتغطية أجزاء رقيقة من اللحم أو الدواجن لمنع الإفراط . يمكن أن يحدث الانحناء إذا كانت الرقائق قريبة جداً من جدران الفرن . يجب أن تكون الرقائق بعيدة عن جدران الفرن بمسافة 1 بوصة (2.5 سم)
براوننج طبق (اطباق التحمير)	اتبع تعليمات الشركة المصنعة . الجزء السفلي من طبق التحمير يجب أن يكون فوق القرص الدوار بقدر 16/3 بوصة (55 مم) قد يؤدي الاستخدام غير الصحيح لكسر الأسطوانات.
أواني الطعام	أواني الميكروويف آمنة . فقط اتبع تعليمات الشركة الصانعة . لا تستخدم الأطباق متصدع أو متكسرة .
الأوعية الزجاجية	دائماً إزالة الغطاء . استخدم فقط لتسخين الطعام حتى يدافئ فقط . و معظم عيوات زجاجية ليست مقاومة للحرارة و قد تنكسر .
الأواني الزجاجية	والأواني الزجاجية المقاومة للحرارة الفرن فقط . تأكد من عدم وجود أي تقليم المعدنية . لا تستخدم الأطباق متصدع أو متكسرة .
أكياس فرن الطبخ	اتبع تعليمات الشركة الصانعة . لا تغلق مع ربطة معدنية . اعمل الشقوق للسماح البخار بالخروج .
الاطباق والكؤوس الورقية	استخدم لأغراض الطهي قصيرة الأجل / التسخين فقط . لا تترك الفرن غير مراقبه أثناء الطهي .
استخدام المناشف الورقية	لتغطية الغذاء و لإعادة التسخين و امتصاص الدهون . استخدام مع إشراف للطهي على المدى القصير فقط .
أوراق الزبدة	استخدم ورقة كغطاء لمنع الرش أو التفتاف للتبخير
البلاستيك	الميكروويف آمنة فقط . اتبع إرشادات الشركة المصنعة . يجب أن تكون مسماه " آمنة للميكروويف " بعض الأواني البلاستيكية تلبين، وذلك عندما يحسن الطعام الذي بداخلها . ينبغي أن " أكياس الغليان " و أكياس البلاستيك المغلقة بإحكام يُعمل عليها فتحة ، ثقب وفقاً للتوجيهات من قبل مجموعة .
الأغلفة البلاستيكية	آمنة للميكروويف فقط . استخدامها لتغطية الطعام أثناء الطهي على الاحتفاظ بالرطوبة . لا تسمح للغلاف البلاستيكي بلمس الطعام .
مقياس الحرارة الحرارة	آمنة للميكروويف فقط . (مقياس درجة حرارة اللحوم و الحلوى) .
ورق مشمع	كغطاء لمنع الرش و الاحتفاظ بالرطوبة

التنظيف

تأكد من فصل الجهاز من التيار الكهربائي.

1. تنظيف تجويف الفرن بعد استخدام قطعة قماش مبللة قليلاً.
2. تنظيف الإكسسوارات بالطريقة المعتادة في الماء والصابون.
3. يجب تنظيف إطار الباب وختم وقطع المجاورة بعناية مع قطعة قماش مبللة عندما تكون قذرة.
4. لا تستخدم المنظفات الكاشطة القاسية أو مكاشط معدنية حادة لتنظيف زجاج باب الفرن لأنها يمكن أن تخدش السطح، مما قد يؤدي إلى تحطيم الزجاج.
5. نصيحة للتنظيف --- لتنظيف أسهل للجدران تجويف الفرن من بقايا الطعام المطبوخ الملموس: ضع نصف ليمونة في وعاء، يضاف نصف لتر ماء بارد (1/2 بانيت) قم بتسخين الوعاء الى ان تصل درجة الحرارة الى 100% لمدة دقيقة. ثم قم بمسح الفرن باستخدام قطعة قماش ناعمة وجافة.

الحد من خطر إصابة الأشخاص تثبيت التأريض

خطر

استشارة كهربائي مؤهل إذا كانت تعليمات التأريض ليست مفهومة تماما أو في حالة وجود شك حول ما إذا تم تأريض الجهاز أساس صحيح أم لا.

مخاطر صدمة كهربائية

يمكن حدوث خطر صدمة كهربائية إذا لمس بعض من المكونات الداخلية تسبب إصابات خطيرة أو وفاة الشخصية. لا تقم بتفكيك هذه الجهاز.

إذا كان من الضروري استخدام سلك تمديد، استخدم فقط سلك 3-

تحذير

مخاطر صدمة كهربائية

1. يُوفر سلك امدادات الطاقة قصير للحد من المخاطر الناجمة عن التعثر على سلك أطول. إذا تم استخدام مجموعة السلك الطويل أو سلك التمديد:

(1) التقييم الكهربائية لمجموعة السلك أو السلك التمديد ينبغي أن تكون على الأقل كبيرة مقارنة لتقييم الكهربائية للجهاز.

(2) يجب أن يكون سلك التمديد من نوع 3-سلك السلك والقابل للتأريض.

(3) ينبغي ترتيب السلك الطويل بحيث أنه لا تثنى بشكل غير صحيحي أو أعلى خواف الطاولة حيث يمكن سحبها على من قبل الأطفال أو تعثرت أكثر عن غير قصد.

يمكن صدمة كهربائية الخطر في إساءة استعمال التأريض يؤدي إلى صدمة كهربائية. لا تقم بتوصيل بمأخذ حتى يتم تثبيت الجهاز بشكل صحيح وتأريضه.

يجب أن تركز هذه الأجهزة. في حالة حدوث تماس كهربائي، التأريض يقلل من خطر التعرض لصدمة كهربائية من خلال توفير سلك الهروب للتيار الكهربائي. وقد تم تجهيز هذا الجهاز مع سلك التأريض وقابس تأريض. يجب توصيل القابس بمأخذ تم تركيبه بشكل صحيح على الارض.

31. تحذير: ان الجهاز وأجزائه يمكن ان تصبح ساخنة أثناء الاستخدام .
وينبغي الحرص على تجنب لمس عناصر التسخين . يُودع الأطفال من هم
دون 8 سنوات من العمر بعيدا او الاشراف عليهم بشكل مستمر.
32. يجب تشغيل المايكرويف مع فتح الباب الزخرفية . (للأفران مع باب
الزينة).
33. سطح كبينة التخزين يمكن ان تسخن.

أقراء الدليل بعناية واحتفظ به كمرجع في المستقبل

22. يجب أن يحرك محتويات زجاجات الرضاعة وجرار أغذية الأطفال أو تُهز وتفحص درجة حرارتها قبل الاستهلاك ، وذلك لتجنب الحروق.
23. تسخين الميكروويف للمشروبات يمكن أن يؤدي إلى تأخر ثورة الغليان، ويجب أن يُتوخى الخذر عند التعامل مع الأواني.
24. الجهاز ليس معداً للاستخدام من قبل أشخاص (بمن فيهم الأطفال) ذو حالات المادية والحسية أو العقلية خاصة ، أو لا يوجد لديهم الخبرة والمعرفة ، ما لم تكن قد أعطي لهم الإشراف أو تعليمات بشأن استخدام الأجهزة من قبل الشخص المسؤول عن سلامتهم.
25. يجب أن تكون الأطفال تحت إشراف للتأكد من أنهم لا يلعبون بالجهاز.
26. الجهاز ليس معداً لتشغيلها بواسطة جهاز توقيت خارجي أو نظام للتحكم عن بعد منفصل.
27. قد تصبح أجزاء الوصول الساخنة أثناء الاستخدام.
28. يجب أن تبقى الأطفال الصغار بعيداً.
29. يجب تجنب استخدام المنظف البخاري.
30. يصبح الجهاز ساخناً أثناء الاستخدام. وينبغي الحرص على تجنب لمس عناصر التسخين داخل الفرن.
- فقط استخدام مجس درجة الحرارة الموصى بها لهذا الفرن. (للأفران المزودة لاستخدام مسبار درجة الحرارة الاستشعار عن بعد).

11. لا تستخدم تجويف الفرن لأغراض التخزين. تخزين العناصر ، مثل الخبز ، الكعك، الخ داخل الفرن
12. إزالة الأسلاك تويست المستخدمه للغلق و مقابض معدنية من الورق أو أواني البلاستيك / أكياس قبل وضعها في الفرن
13. يجب ان يكون تثبيت أو تحديد موقع المناسب للفرن فقط وفقا لتعليمات التثبيت المقدمة.
14. لا ينبغي أن يساخن البيض غير المقشر والبيض المسلوق في أفران الميكروويف لأنها قد تنفجر ، حتى بعد انتهاء تدفئة الميكروويف.
15. هذا الجهاز لغرض الاستخدام المنزلي والاستخدامات الأخرى المماثلة مثل:
- مناطق طبخ للموظفين في المحلات التجارية والمكاتب و بيئات العمل الأخرى؛
 - من جانب العملاء في الفنادق والموتيلات و البيئات السكنية الأخرى
 - المنازل الزراعية.
 - نُزلات المبيت والافطار.
16. في حالة تلف سلك مصدر الكهربائي ، يجب أن يبدل من قبل الشركة المصنعة ، أو كليل خدماتها أو من قبل أشخاص مؤهلين من أجل تجنب المخاطر.
17. لا تخزن أو استخدام هذه الأجهزة في الهواء الطلق
18. تستخدم هذا الفرن بالقرب من المياه ، في قواعد رطوبة أو قرب احواض السباحة
19. درجة حرارة السطوح قد تصل الى درجات حرارة مرتفعة عندما يكون جهاز يعمل . السطوح عرضة للسخونة أثناء الاستخدام . ابق على السلك بعيدا عن السطح الساخن، ولا تقم بتغطية أي فتحات في الفرن.
20. لا تدع السلك معلقة فوق حافة الطاولة أو المنضدة.
21. عدم الحفاظ على الفرن في حالة نظيفة تؤدي إلى تدهور السطح التي يمكن أن تؤثر سلبا على العمر الافتراضي للجهاز ، وربما يؤدي الى حالة خطيرة.

إرشادات السلامة الهامة تحذير

للد من خطر الحريق، الصدمة الكهربائية، وإصابة لأشخاص أو التعرض لطاقة المايكرويف المفرطة عند استخدام الجهاز، اتبع الاحتياطات الأساسية، بما في ذلك الخطوات التالية:

1. تحذير: يجب ألا تكون ساخنة السوائل وغيرها من الأطعمة في أواني مختومة لأنها عرضة للانفجار.
2. تحذير: من الخطورة لأي شخص آخر غير الشخص المختص للقيام بأي خدمة أو عملية إصلاح تنطوي على إزالة الغطاء الذي يعطي حماية ضد التعرض لطاقة الميكروويف.
3. هذه الأجهزة يمكن استخدامها من قبل الأطفال الذين تتراوح أعمارهم بين 8 سنوات وما فوق والأشخاص ذوي الحالات الجسدية والحسية أو العقلية الخاصة أو نقص الخبرة والمعرفة إذا ما أعطي لهم الإشراف أو تعليمات بشأن استخدام الأجهزة بطريقة آمنة وفهم المخاطر المعنية. يجب ألا يلعب الأطفال بالجهاز. لا يُسمح جعل تنظيف وصيانة والاستخدام من قبل الأطفال إلا إذا كانوا فوق سن 8 سنوات ومع الإشراف عليهم.
4. الحفاظ على الأجهزة والسلك لها بعيدا عن متناول الأطفال أقل من 8 سنوات.
5. فقط استخدام أواني مناسبة للاستخدام في أفران الميكروويف.
6. يجب تنظيف الفرن بانتظام ويجب إزالة أي رواسب الطعام.
7. قراءة واتباع محددة: " الاحتياطات اللازمة لتجنب احتمال التعرض لطاقة الميكروويف المفرطة".
8. عند تسخين الطعام في أواني من البلاستيك أو الورق، ومراقبة الفرن نظرا لإمكانية الاشتعال.
9. إذا كان ينبعث الدخان، إيقاف الفرن أو قم بفصل توصيل الأجهزة وابقاء الباب مغلقة من أجل إخماد النيران.
10. تفرط في طهي الطعام

الاحتياطات اللازمة لتجنب احتمال التعرض لطاقة الميكروويف المفرطة.

- (1) لا تحاول تشغيل هذا الفرن إذا كان الباب مفتوحاً لأن هذا يمكن أن يؤدي إلى التعرض الضار لطاقة الميكروويف. من المهم عدم كسر أو العبث بنظام تعشيق السلامة.
- (2) لا تضع أي كائن بين الوجه الأمامي وباب الفرن ولا تدع التربة أو بقايا المنظفات لتتراكم على الأسطح مانعة للتسرب.
- (3) تحذير: إذا تلف الباب أو أختام الباب، ويجب الا يعمل الفرن حتى يتم إصلاحه من قبل شخص مختص.

ملحق

إذا لم يتم تنظيف الجهاز بشكل دوري ومنتظم، يمكن أن يتدهور سطحه وقد يؤثر على عمر الجهاز، وتؤدي إلى وضع خطير.

المواصفات

F45CMWD9X	موديل
230 فولت ~ 50 هرتز	الفولطية:
1450 واط	تقييم مدخلات الطاقة (ميكروويف) :
900 واط	معدل انتاج الطاقة (ميكروويف) :
1100 واط	تقييم مدخلات الطاقة (الشواية) :
2500 واط	تقييم مدخلات الطاقة (الحراري) :
25 لتر	سعة الفرن :
Ø315 مم	القرص الدوار القطر :
تقريباً 21.5 كجم	الوزن الصافي :
388 × 470 × 595 مم	الأبعاد الخارجية :

فرن المايكرويف

دليل التعليمات

موديل: F45CMWD9X

اقرأ هذه الإرشادات بعناية قبل استخدام فرن المايكرويف الخاص بك، والحفاظ عليه بعناية. إذا اتبعت التعليمات، وسوف يوفر لك الفرن الخاص بك خدمة جيدة لسنوات الخدمة الجيدة.

احفظ هذه التعليمات بعناية